



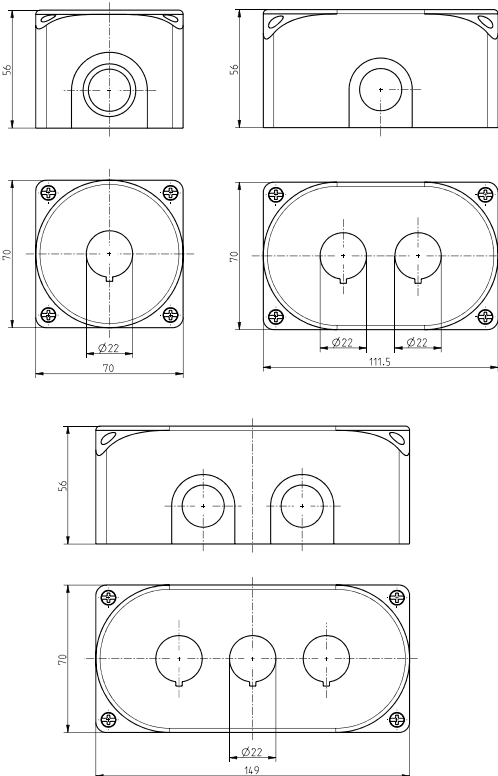
Wireless command device sWave.NET® RF BF 74-NET

Features/Options:


- sWave.NET® wireless technology (SW868/SW915/SW917/SW922)
- Thermoplastic enclosure

- No wiring and pipe laying required

Dimensions



Technical data

Applied standards	EN 60947-5-1, EN 61000-6-2, EN 61000-6-3, EN 61000-4-2, EN 301 489-1, EN 301 489-3, EN 300 220-1, EN 300 220-2
Enclosure	polycarbonate
Tightening torque	cover screws: approx. 1.6 Nm
Degree of protection	IP 65 to IEC/EN 60529 (RTM: IP 67), use only with enclosure for command devices
Voltage supply	lithium battery (replaceable)
Ambient temperature	-20 °C ... +65 °C
Operation cycles	approx. 12000 telegrams with repetitions/h; SW922: max. 1440 telegrams/h
Wireless range	SW868/915/917: max. 450 m outside, max. 40 m inside SW922: max. 150 m outside, max. 20 m inside
Mechanical life	800 000 operations
Actuating time	min. 80 ms to max. 31.9 s (1 s preset)
Note	Transmission of battery voltage and switching condition
Wireless approvals	Europe: RED 2014/53/EU USA: FCC Part 15.247: XK5-RF Rx SW915 Canada: IC RSS-210: 5158A-RF Rx SW 915 Mexico: IFT - RCPSTRF17-1886 Brazil: ANATEL 04172-18-06718 Japan:  ARIB STD-T108: 204-610002

Errors and omissions excepted.