



Wireless universal transmitter sWave.NET® RF I/O-NET

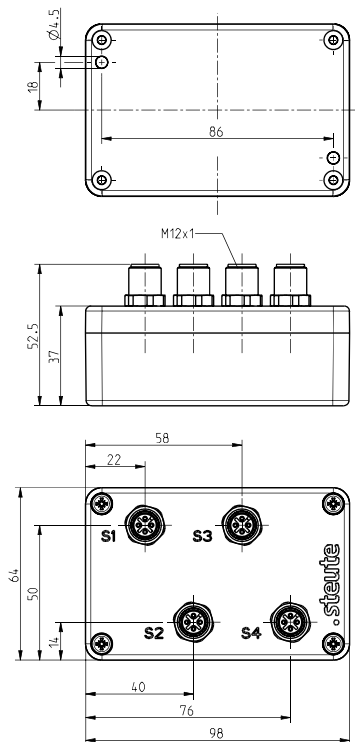
Features/Options:

- Thermoplastic enclosure
- sWave.NET® wireless technology (SW868/SW915/SW917/SW922)
- No wiring and pipe laying required
- Power supply by Lithium battery
- Configurable online via wireless interface

Notes

- The RF I/O may be used in combination with wireless inductive sensor RF IS
- Connection of external switching contact (potentialfree contact) with gold contacts possible.
- Delivery does not include protective caps.

Dimensions



Technical data

Applied standards	EN 60947-5-1, EN 61000-6-2, EN 61000-6-3, EN 301 489-1, EN 301 489-3, EN 300 220-1, EN 300 220-2
Enclosure	ABS
Degree of protection	IP 67 to IEC/EN 60529
Voltage supply	lithium battery (replaceable)
Connection	4 x plug-in connector M12 x 1, 4-pole
Ambient temperature	-20 °C ... +65 °C
Operation cycles	max. 12000 telegrams with repetitions/h; SW922: max. 1440 telegrams/h
Switching frequency	max. 5 Hz
Wireless range	SW868/915/917: max. 450 m outdoors, max. 40 m indoors SW922: max. 150 m outdoors, max. 20 m indoors
Actuating time	min. 80 ms
Notes	transmission of battery voltage and switching condition
Wireless approvals	Europe: RED 2014/53/EU USA: FCC - XK5-RFRXSW915 Canada: IC - 5158A-RFRXSW915 Mexico: IFT - RCPSTRF17-1886 Brazil: ANATEL 04172-18-06718

Japan:  ARIB STD-T108:
204-610002

Errors and omissions excepted.