

Accessories for emergency pull-wire switches

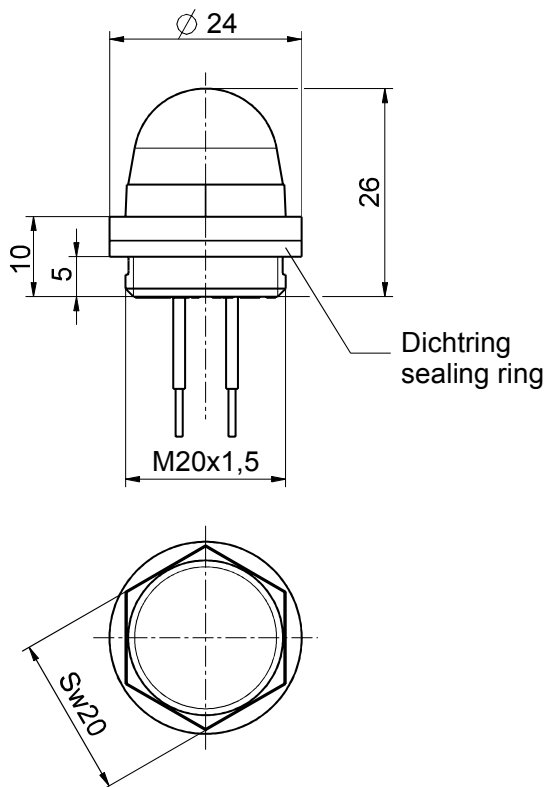
Indicator lamp LED 24 VAC DC

Material number: 1348797


Features/Options:

- Calotte red transparent
- M20 x 1.5
- 24 VAC/DC

Dimensions



Technical data

Applied standards	EN 60947-5-1
Calotte	polycarbonate, impact resistant, self-extinguishing UL 94 V-0, red transparent, similar to RAL 3000
Litz wire duct with strain relief	PA66, self-extinguishing UL 94 V-2, black
Sealing	EPDM
Tightening torque	indicator lamp: approx. 2.3 Nm
Degree of protection	IP 66/67 to IEC/EN 60529, in mounted condition
Rated operating voltage range U_B	24 VAC/DC +10/-15 %
Rated operating current I_e	~ 15 mA
Switch-on time ED	100 %
Lifetime	approx. 100,000 h (luminous flux on average decreased to 70 % of the initial value)
Lamp	LED
Mounting position	any
Connection	stranded wire 2 x 0.9 mm ² , AWG 18, stranded wire length approx. 150 mm, with conductor ferrules
Ambient temperature	-40 °C ... +80 °C
Thread	M20 x 1.5
Optic characteristics (weathering resistance)	Material of enclosure and sealing are weathering resistant. Material of enclosure and colour are UV stabilised.
Approvals	
Weight	22 g

Errors and omissions excepted.