

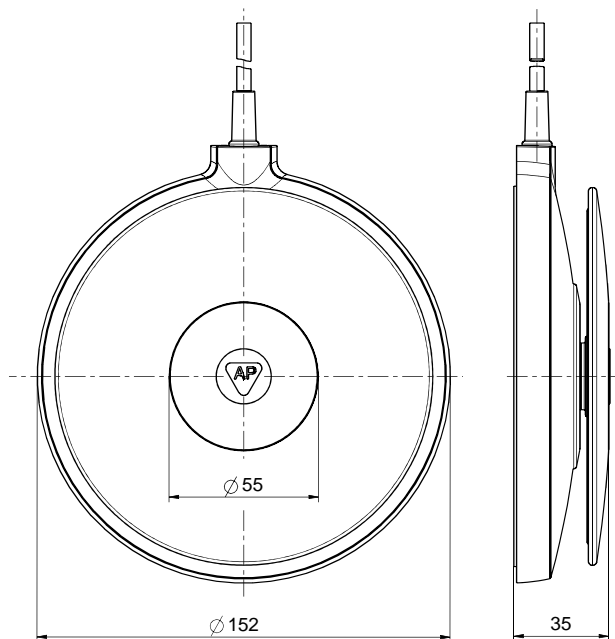


1-pedal medical foot switch RF-MED-2G

Features/Options:

- Robust die-cast aluminium foot control
- Operable from all sides
- Powder coating
- Waterproof: IPX8 (IEC 60529)
- Digital output signals
- Different RAL colours available

Dimensions



Technical data

| | |
|----------------------|--|
| Applied standards | IEC 60601-1, ANSI/AAMI ES60601-1, IEC 60529 |
| Switching plate | GK-Al alloy, RAL 7035 |
| Enclosure | GD-Al alloy, RAL 7035 |
| Degree of protection | IP X8 to IEC/EN 60529 |
| Switching elements | micro switch |
| Switching system | 1 – 2 NO contacts / 1 - 2 change-over contacts |
| Mechanical life | > 1 million operations |
| Connection | 2 m cable, other lengths optionally available |
| Switching voltage | max. 25 VAC / 60 VDC |
| Switch-on current | max. 1 A |
| Switching capacity | max. 30 VA |

Errors and omissions excepted.