



## Accessories for hinge switches

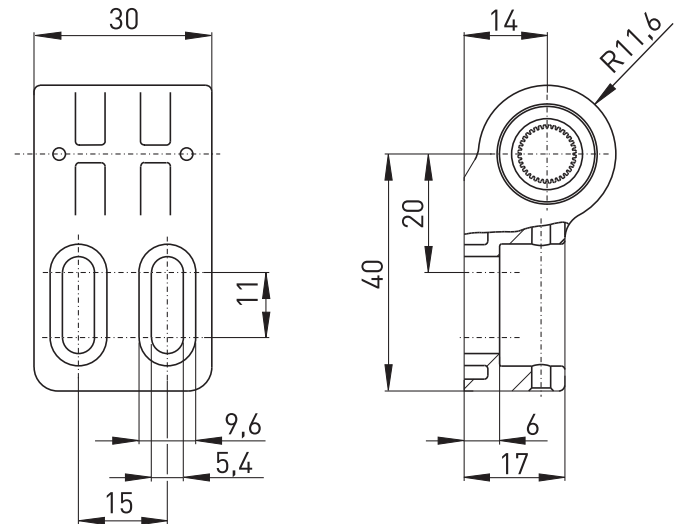
### Fixed hinge F

Material no.: 1169835 (material no. old: 01.08.0146)

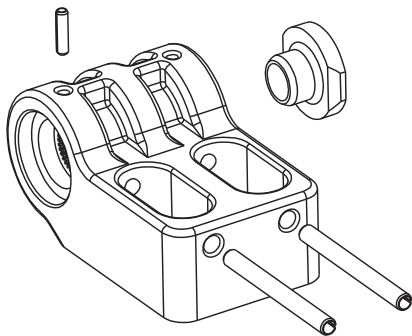
#### Product features

- Suitable for ES 98 SB-10mm, Ex 98 SB-10mm and Ex 355 V10S
- Incl. locating pins, 1 blanking plug and 2 screws  
M5 x 20 to ISO 7380

#### Dimensions



#### Fixed hinge F



Errors and omissions excepted.