



Accessories for emergency pull-wire switches Pulley stainless steel Material no.: 1041765 (material no. old: 04.73.9102)

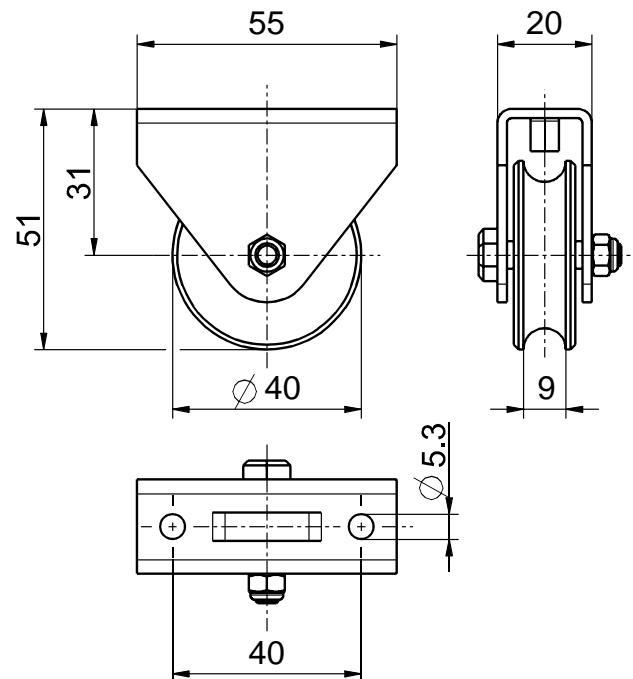
Product features

- To guide the pull-wire where the path is not a straight line
- Roller: polyamide

Notes

- According to EN 13850, pulleys may only be mounted in such a way that the complete length of the pull-wire can be observed.

Dimensions



Errors and omissions excepted.