

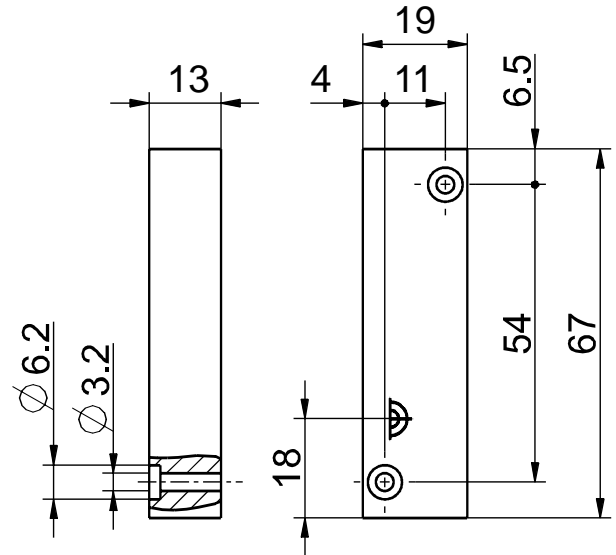


Accessories for magnetic sensors Actuating magnet Ex M 2580 r-F-Niro Material no.: 1441455

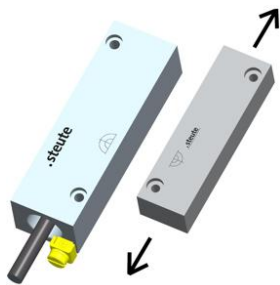
Product features

- Ex zone 1 and 21
- Temperature resistant from -40 °C to +140 °C
- High degree of protection IP68
- Stainless steel enclosure
- Magnet: NdFeB, nickel-coated
- Only suitable for Ex RC 2580 1Wr
- Actuation from front "F"

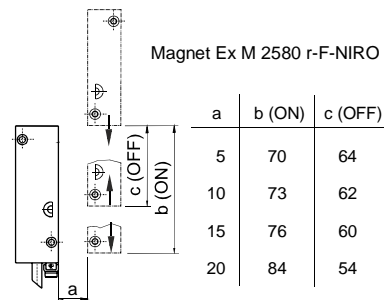
Dimensions



Actuation from front "F"



Switching distances Ex M 2580 r-F-Niro



Errors and omissions excepted.