

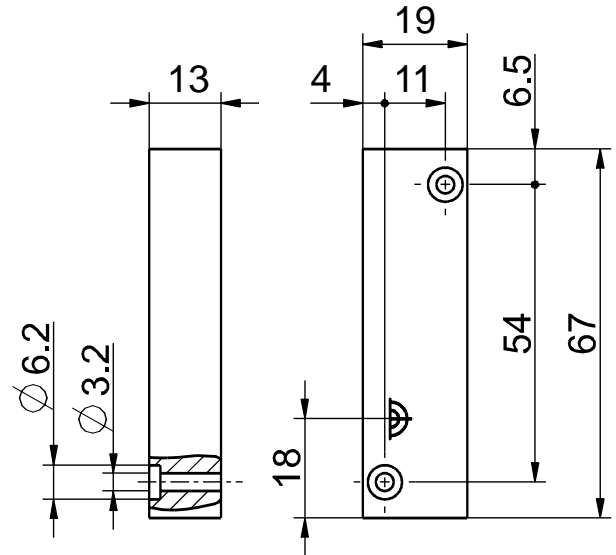


## Accessories for magnetic sensors Actuating magnet Ex M 2580 r-T-Niro Material no.: 1201077

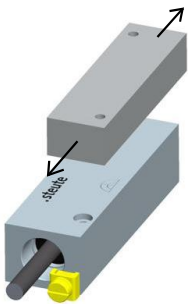
### Product features

- Ex zone 1 and 21
- Temperature resistant from -40 °C to +140 °C
- High degree of protection IP68
- Stainless steel enclosure
- Magnet: NdFeB, nickel-coated
- Only suitable for Ex RC 2580 1Wr
- Actuating from the top "T"

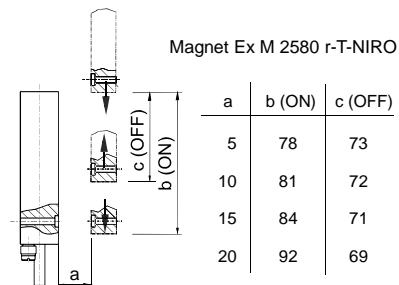
### Dimensions



### Actuating from the top "T"



### Switching distances Ex M 2580 r-T-Niro



Errors and omissions excepted.