

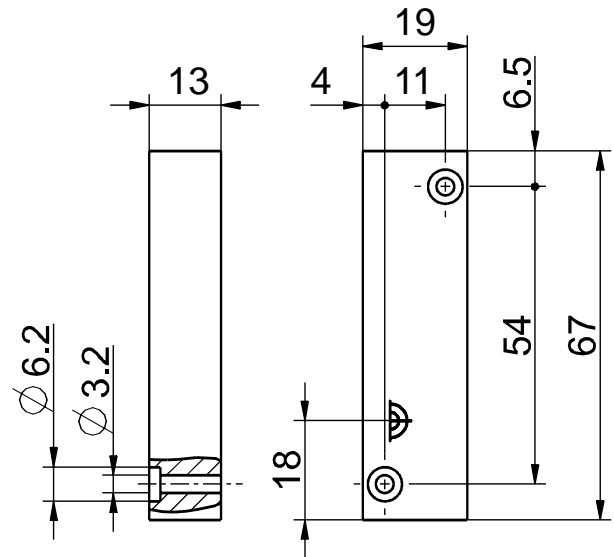


Accessories for magnetic sensors Actuating magnet Ex M 2580-Niro Material no.: 1189176 (material no. old: 05.00.8227)

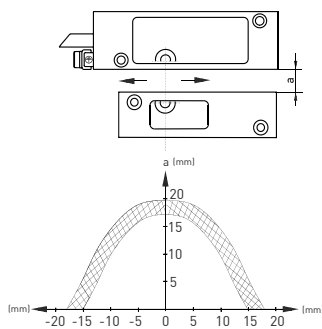
Product features

- Ex zone 1 and 21
- Temperature resistant from -40 °C to +140 °C
- High degree of protection IP68
- Stainless steel enclosure
- Magnet: AlNiCo 500
- Actuation from side
- Switching distance up to 30 mm

Dimensions



Axial misalignment



Errors and omissions excepted.