



Accessories for magnetic sensors

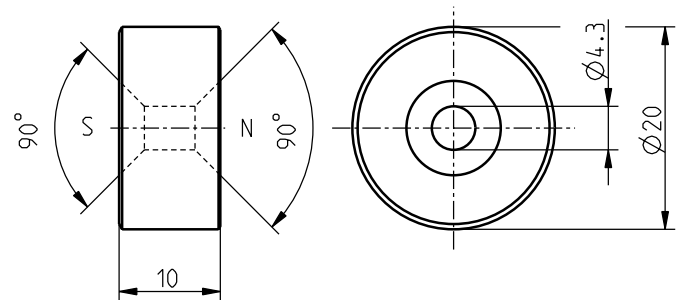
Actuating magnet M 200 UB

Material no.: 1033975 (material no. old: 01.24.0019)

Product features

- Countersink on both sides
- Unenclosed
- Magnet: Barium ferrite
- Temperature resistant from -40 °C to +150 °C

Dimensions



Errors and omissions excepted.