



Accessories for magnetic sensors

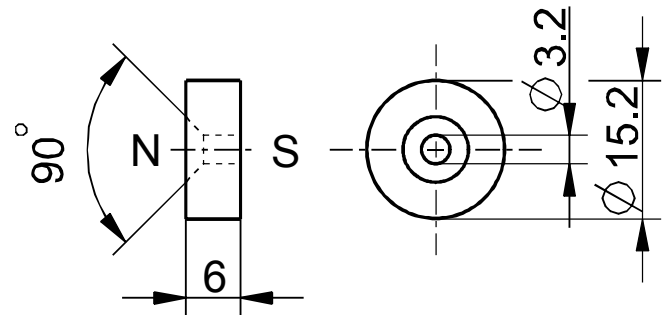
Actuating magnet M 50 NU

Material no.: 1033965 (material no. old: 01.24.0004)

Product features

- Unenclosed
- Magnet: Barium ferrite
- Temperature resistant from -40 °C to +150 °C

Dimensions



Errors and omissions excepted.