

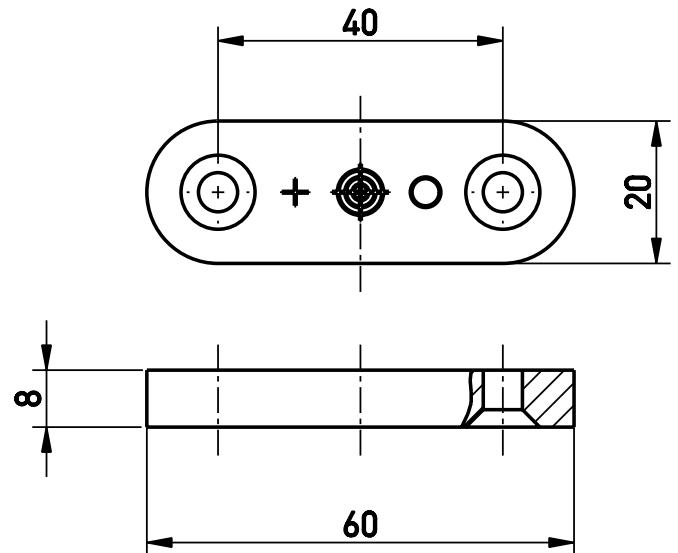


Accessories for BZ 16 / BZ 16 Extreme Actuating magnet coded BZ 16-B1 Material no.: 1165032 (material no. old: 90570007)

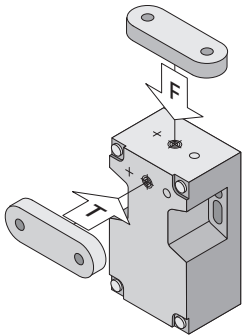
Product features

- Actuator for BZ 16
- Enclosure: glass-fibre reinforced thermoplastic, self-extinguishing
- Magnet: NdFeB
- Temperature resistant from -20 °C to +70 °C

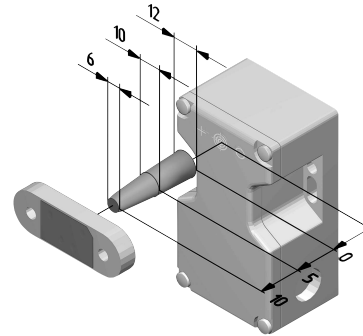
Dimensions



Actuating planes



Axial misalignment



Errors and omissions excepted.