

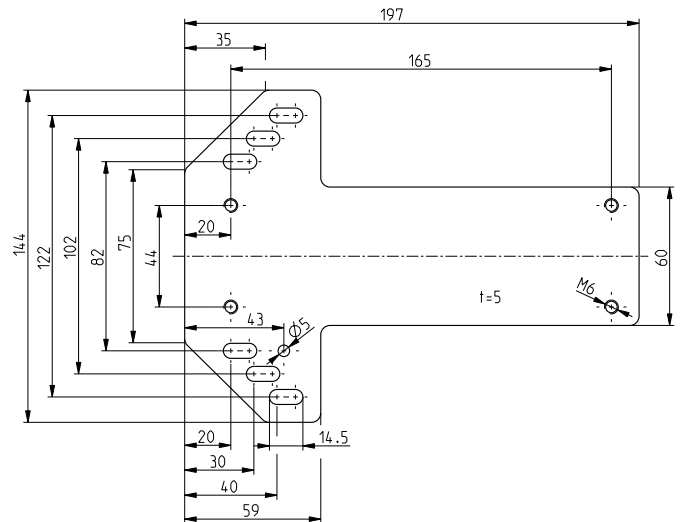


Accessories for Ex AZM 415 / Ex AZP 415 Mounting plate MP AZM 415-B4pS Material no.: 1181420 (material no. old: 01.08.0276)

Product features

- For simple mounting on profile systems, e.g. 40, 60 or 80 mm wide
- Thickness of plate 5 mm
- Mounting plate MP AZM 415-B4pS: Mounting of AZM 415-B4pS

Dimensions



Errors and omissions excepted.