



## Accessories for Ex AZM 415 / Ex AZP 415

### Actuator AZM 415-B30-03

Material no.: 1172017 (material no. old: 01.08.0182)

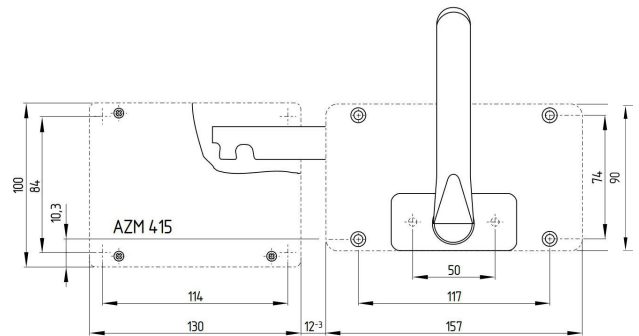
#### Product features

- Suitable for all guard types
- Hinge radius not to be observed
- No further handles/levers required on the guard
- Latching actuating handle
- Shearing force 25,000 N
- Lockout tag SZ 415-1 or SZ 415-2 available to prevent unintentional closing
- For door thickness max. 100 mm
- For mounting screws M6

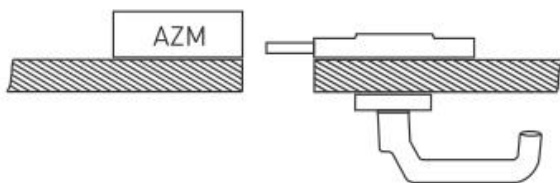
#### Notes

- Door hinge on right-hand side
- Actuator mounted inside, see yellow marking in drawing

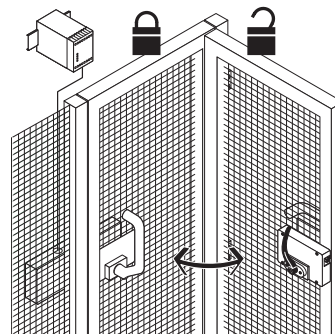
#### Dimensions



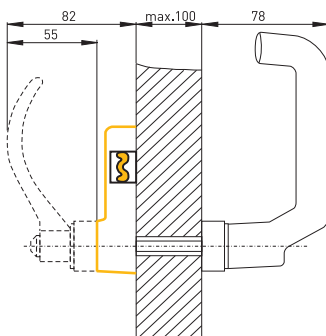
#### Mounting AZM 415-B30-03



#### Actuator AZM 415-B30



#### Actuator mounted inside



Errors and omissions excepted.