

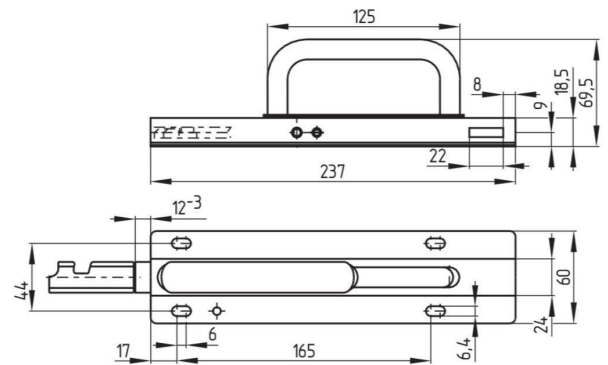


Accessories for Ex AZM 415 / Ex AZP 415 Actuator AZM 415-B4pS with grip Material no.: 1172016 (material no. old: 01.08.0181)

Product features

- Suitable for all types of guards, no further handles required
- Hinge radius not to be observed
- Shearing force 25,000 N
- Mounting plate available to simplify mounting, see accessories
- Lockout tag SZ 415-B4pS available to prevent unintentional closing, see accessories

Dimensions



Errors and omissions excepted.