

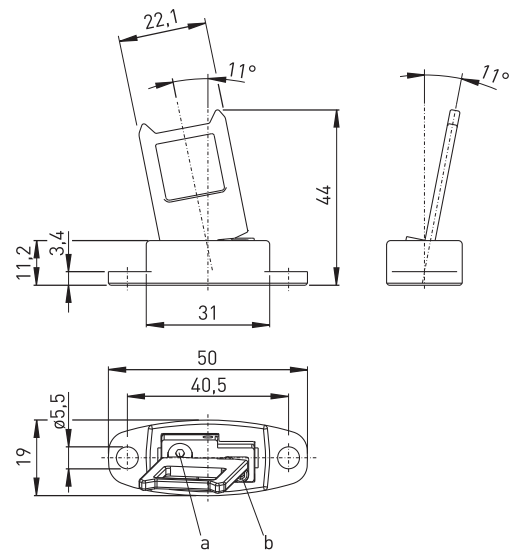


Accessories for Ex 355 AZ Flexible actuator AZ 335/355-B6 Material no.: 1170540 (material no. old: 01.08.0159)

Product features

- Especially suitable for hinged guards
- Actuating radius adjustable, min. 100 mm, using a hexagonal key wrench (a or b)

Dimensions

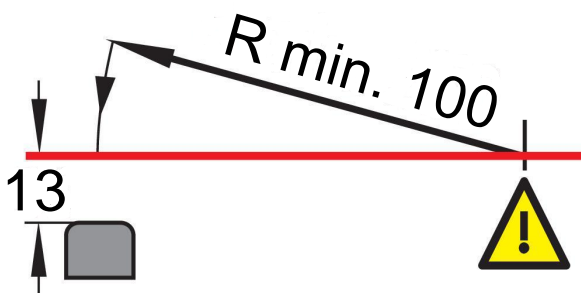


Technical data

Actuating radius
min. 100 mm

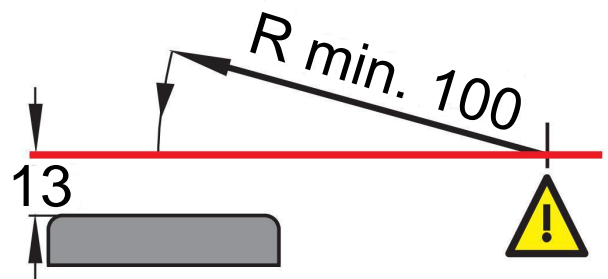
Weight
41 g

Actuating radius narrow edge



Attention! 13 mm must be referred to the surface of the enclosure and not to the inserted actuator!

Actuating radius wide edge



Attention! 13 mm must be referred to the surface of the enclosure and not to the inserted actuator!

Errors and omissions excepted.