



## Accessories for ES 97 AZ / Ex 97 AZ Straight actuator AZ 95/97-B1

Material no.: 1178645 (material no. old: 04.95.1120)

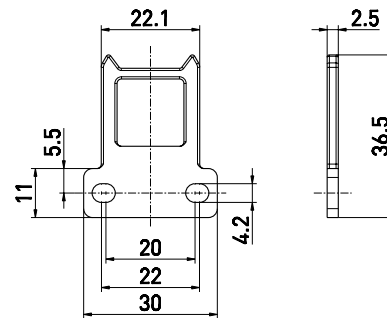
### Product features

- Stainless steel 1.4301
- Actuating radius on hinged guards a = 350 mm and b = 700 mm
- Axial misalignment x = 11 mm

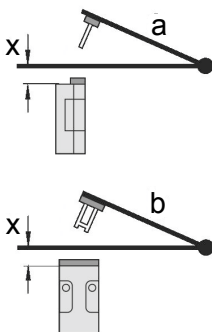
### Notes

- 2 slot sealing plugs are included in delivery

### Dimensions



### Actuating radii



The axis of the hinge should be x mm above the top edge of the safety switch and in the same plane.

a = Actuating radius to the plane of the actuator

b = Actuating radius in line with the plane of the actuator

x = Axial misalignment

Attention! x must be referred to the surface of the enclosure and not to the inserted actuator!

Errors and omissions excepted.