



Wireless universal transmitter sWave.NET® RF I/O SW922-4E-Vcc-ext-NET Material number: on request

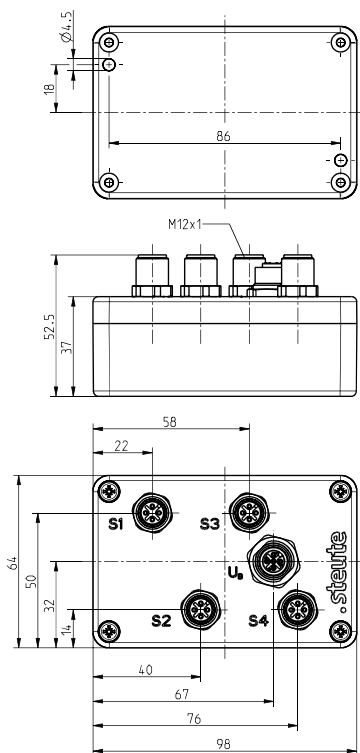
Features/Options:

- Thermoplastic enclosure
- sWave® wireless technology
- No wiring and pipe laying required
- External power supply via M12 female plug-in connector
- Configurable online via wireless interface

Notes

- The RF I/O may be used in combination with wireless inductive sensor RF IS
- Connection of external switching contact (potentialfree contact) with gold contacts possible.
- Delivery does not include protective caps.

Dimensions



Technical data


Applied standards	EN 60947-5-1, EN 61000-6-2, EN 61000-6-3, EN 61000-4-2, EN 61000-4-4, EN 61000-4-5, EN 61000-4-6, EN 301 489-1, EN 301 489-3, EN 300 220-1, EN 300 220-2
Enclosure	ABS
Degree of protection	IP 67 to IEC/EN 60529
Protocol	sWave.NET®
Frequency	916.5 MHz (Japan)
Transmission power	< 1 mW
Data rate	66 kbps
Channel bandwidth	520 kHz
Voltage supply	24 VDC
Connection	Sensors: plug-in connector 4 x M12 x 1, 4-pole power supply: 1 x M12 female plug-in connector
Ambient temperature	-20 °C ... +65 °C
Operation cycles	max. 1440 telegrams with repetitions/h
Switching frequency	max. 5 Hz
Rated operating voltage range U_B	18 ... 30 VDC Pin 1 and Pin 3 connector M12
Rated insulation voltage U_i	75 VDC
Rated impulse withstand voltage U_{imp}	0.5 kV
Rated operating current I_e	2.5 mA

Errors and omissions excepted.

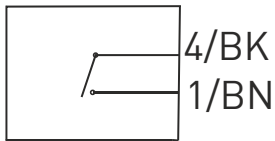


Wireless universal transmitter sWave.NET®
 RF I/O SW922-4E-Vcc-ext-NET
 Material number: on request

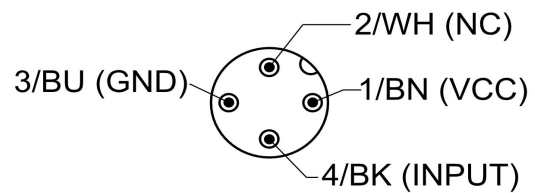
Technical data

Voltage drop $U_e - U_a$	3.5 V with 4 x 50 mA sensor current
Load current	max. 50 mA per sensor connection
Switching points	> 5 VDC (E1 - E4)
Wireless range	max. 150 m outdoors, max. 20 m indoors
Actuating time	min. 80 ms
Wireless approvals	Japan:  ARIB STD-T108: 204-610002

External switch contact



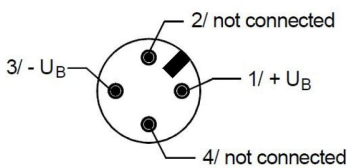
Plug-in configuration



Colour coding only valid for
 coupling 4-poles mat. no. 1215497 and
 coupling 4-poles mat. no. 1262873

Plug-in configuration / Power supply

- M12 x 1
 1 BN +U_B
 2 WH NC
 3 BU -U_B
 4 BK NC



Errors and omissions excepted.