



## Wireless universal transmitter sWave.NET® RF I/O SW915-4E-Vcc-ext-NET Material number: on request

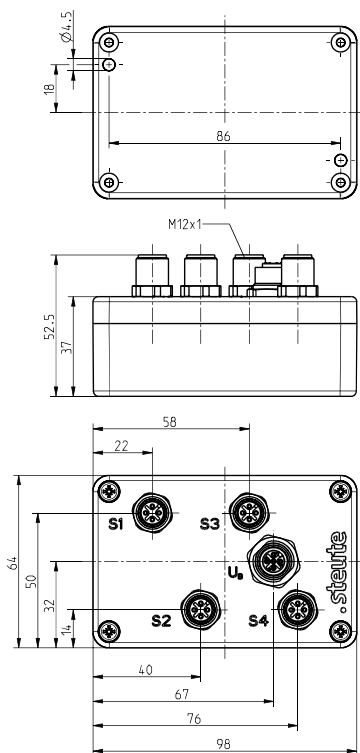
### Features/Options:

- Thermoplastic enclosure
- sWave® wireless technology
- No wiring and pipe laying required
- External power supply via M12 female plug-in connector
- Configurable online via wireless interface

### Notes

- The RF I/O may be used in combination with wireless inductive sensor RF IS
- Connection of external switching contact (potentialfree contact) with gold contacts possible.
- Delivery does not include protective caps.

### Dimensions



### Technical data

Applied standards	EN 60947-5-1, EN 61000-6-2, EN 61000-6-3, EN 61000-4-2, EN 61000-4-4, EN 61000-4-5, EN 61000-4-6, EN 301 489-1, EN 301 489-3, EN 300 220-1, EN 300 220-2
Enclosure	ABS
Degree of protection	IP 67 to IEC/EN 60529
Protocol	sWave.NET®
Frequency	915 MHz (USA, Canada, Mexico, Australia)
Transmission power	< 25 mW
Data rate	66 kbps
Channel bandwidth	550 kHz
Voltage supply	24 VDC
Connection	Sensors: plug-in connector 4 x M12 x 1, 4-pole power supply: 1 x M12 female plug-in connector
Ambient temperature	-20 °C ... +65 °C
Operation cycles	max. 12000 telegrams with repetitions/h
Switching frequency	max. 5 Hz
Rated operating voltage range $U_B$	18 ... 30 VDC Pin 1 and Pin 3 connector M12
Rated insulation voltage $U_i$	75 VDC
Rated impulse withstand voltage $U_{imp}$	0.5 kV
Rated operating current $I_e$	2.5 mA

Errors and omissions excepted.

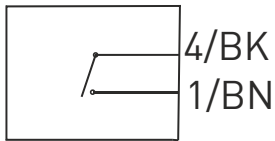


## Wireless universal transmitter sWave.NET® RF I/O SW915-4E-Vcc-ext-NET Material number: on request

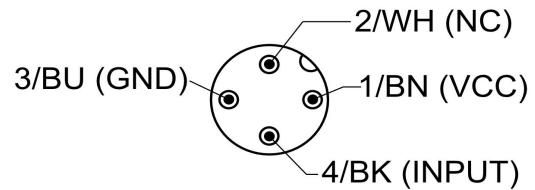
### Technical data

Voltage drop $U_e - U_a$	3.5 V with 4 x 50 mA sensor current
Load current	max. 50 mA per sensor connection
Switching points	> 5 VDC (E1 - E4)
Wireless range	max. 450 m outdoors, max. 40 m indoors
Actuating time	min. 80 ms
Wireless approvals	USA: FCC - XK5-RFRXSW915 Canada: IC - 5158A-RFRXSW915 Mexico: IFT - RCPSTRF17-1886

### External switch contact



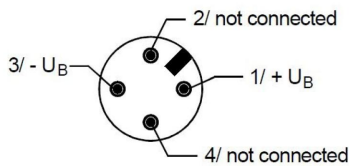
### Plug-in configuration



Colour coding only valid for  
coupling 4-poles mat. no. 1215497 and  
coupling 4-poles mat. no. 1262873

### Plug-in configuration / Power supply

- M12 x 1  
 1 BN +U<sub>B</sub>  
 2 WH NC  
 3 BU -U<sub>B</sub>  
 4 BK NC



Errors and omissions excepted.