



## Wireless universal transmitter sWave.NET® RF I/O SW868-NET Material number: 1469645

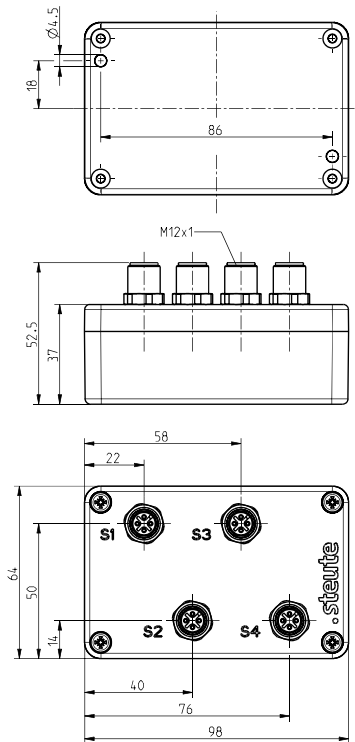
### Features/Options:

- Thermoplastic enclosure
- sWave.NET® wireless technology
- No wiring and pipe laying required
- Power supply by Lithium battery
- Configurable online via wireless interface

### Notes

- The RF I/O may be used in combination with wireless inductive sensor RF IS or wireless magnetic sensor RF RC 20.
- Connection of external switching contact (potentialfree contact) with gold contacts possible.
- Delivery does not include protective caps.

### Dimensions



### Technical data

Applied standards	EN 60947-5-1, EN 61000-6-2, EN 61000-6-3, EN 301 489-1, EN 301 489-3, EN 300 220-1, EN 300 220-2
Enclosure	ABS
Degree of protection	IP 67 to IEC/EN 60529
Protocol	sWave.NET®
Frequency	868.3 MHz (Europe, China)
Transmission power	< 25 mW
Data rate	66 kbps
Channel bandwidth	350 kHz
Voltage supply	lithium battery Tadiran SL-760 (replaceable)
System	Li/SOCl <sub>2</sub>
Nominal voltage	3.6 V
Nominal capacity	2.2 Ah

Errors and omissions excepted.



Wireless universal transmitter sWave.NET®  
RF I/O SW868-NET  
Material number: 1469645

## Technical data

Battery life	depending on the switching frequency Magnetic sensor / external contact mainly not activated 10 s - approx. 3.2 years 100 s - approx. 4.1 years 1,000 s - approx. 4.2 years Magnetic sensor / external contact mainly activated 10 s - approx. 2.0 years 100 s - approx. 2.4 years 1,000 s - approx. 2.4 years Inductive sensor 1 x mainly not activated 10 s - approx. 0.8 years 100 s - approx. 0.9 years 1,000 s - approx. 0.9 years Inductive sensor 1 x mainly activated 10 s - approx. 1.3 years 100 s - approx. 1.5 years 1,000 s - approx. 1.5 years Inductive sensor 4 x mainly not activated 10 s - approx. 0.3 years 100 s - approx. 0.3 years 1,000 s - approx. 0.3 years Inductive sensor 4 x mainly activated 10 s - approx. 0.5 years 100 s - approx. 0.5 years 1,000 s - approx. 0.5 years
Connection	4 x plug-in connector M12 x 1, 4-pole
Connectable devices	RF IS M8, RF IS M12, RF IS M18, RF IS M30, RF RC 20, external switches using the connecting cable 1215497
Ambient temperature	-20 °C ... +65 °C
Operation cycles	max. 12000 telegrams with repetitions/h
Switching frequency	max. 5 Hz
Standby current	60 µA
Wireless range	max. 450 m outdoors, max. 40 m indoors
Actuating time	min. 80 ms
Note	transmission of battery voltage and switching condition
Wireless approvals	Europe: RED 2014/53/EU

Errors and omissions excepted.



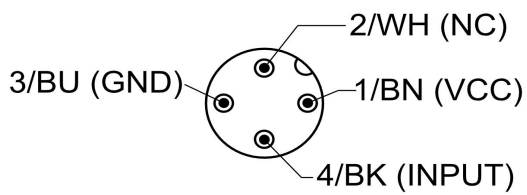
Wireless universal transmitter sWave.NET®  
RF I/O SW868-NET  
Material number: 1469645

## Technical data

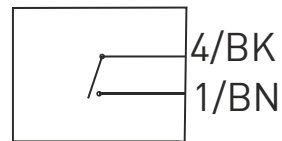
Weight

200 g

## Plug-in configuration



## External switch contact



Colour coding only valid for  
coupling 4-poles mat. no. 1215497 and  
coupling 4-poles mat. no. 1262873