

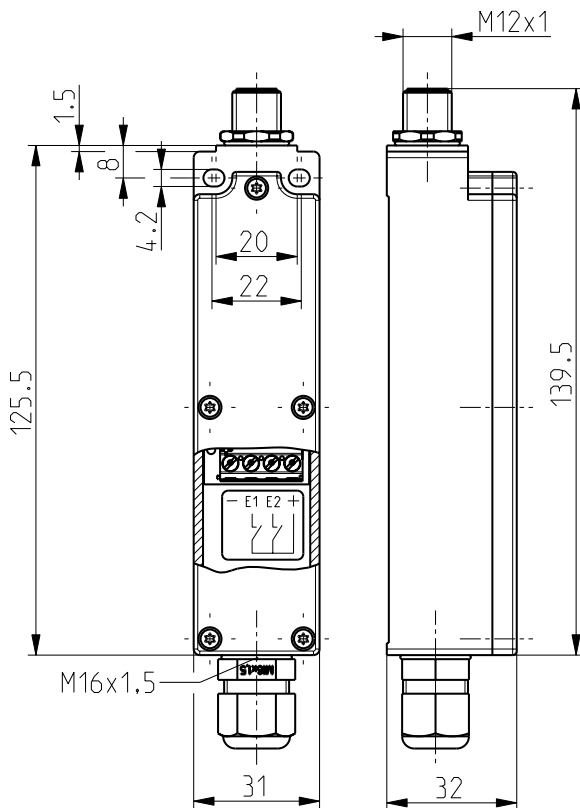


Wireless universal transmitter sWave.NET® RF 96 ST SW868 Vcc extern-NET Material number: 1467609

Features/Options:

- sWave.NET® wireless technology
- Cable-free - with cost savings for installation and maintenance
- Configurable online via wireless interface
- Simple operation and integration in existing ERP systems via Sensor Bridge
- High scalability - up to several hundred sensors in one application
- External power supply via M12 plug-in connector

Dimensions



Technical data

Applied standards	EN 60947-5-1, EN 61000-6-2, EN 61000-6-3, EN 61000-4-4, EN 61000-4-5, EN 61000-4-6, EN 301 489-1, EN 301 489-3, EN 300 220-1, EN 300 220-2
Enclosure	thermoplastic, glass-fibre reinforced, impact resistant, self-extinguishing UL 94 V-0
Tightening torque	M4 enclosure mounting screws: max 1.2 Nm M2.5 cover screws: approx. 0.45 Nm
Degree of protection	IP 67 to IEC/EN 60529
Protocol	sWave.NET®
Frequency	868.3 MHz (Europe, China)
Transmission power	< 25 mW
Data rate	66 kbps
Channel bandwidth	350 kHz
Voltage supply	24 VDC
Connection	plug-in connector M12 x 1, 4-pole
Ambient temperature	-20 °C ... +65 °C
Switching frequency	max. 5 Hz
Rated operating voltage range U_B	10 ... 30 VDC Pin 1 and Pin 3 plug-in connector M12
Rated insulation voltage U_i	75 VDC
Rated impulse withstand voltage U_{imp}	0.5 kV
Rated operating current I_e	2.5 mA
Standby current	15 µA (if sensor is not connected)
Voltage drop $U_e - U_a$	1.5 V
Load current	max. 100 mA

Errors and omissions excepted.



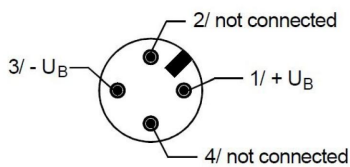
Wireless universal transmitter sWave.NET® RF 96 ST SW868 Vcc extern-NET Material number: 1467609

Technical data

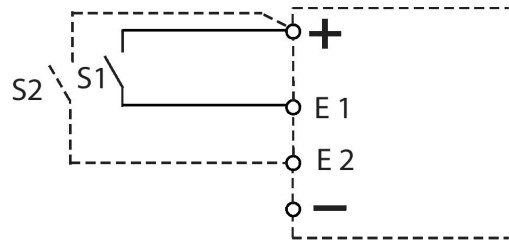
Switching points	> 5 VDC (E1, E2)
Wireless range	max. 450 m outdoors, max. 40 m indoors
Actuating time	min. 80 ms
Wireless approvals	Europe: RED 2014/53/EU

Plug-in configuration / Power supply

M12 x 1
1 BN +U_B
2 WH NC
3 BU -U_B
4 BK NC



External switch contact



Sensors

