



Wireless universal transmitter sWave.NET® RF 96 ST SW868-NET Material number: 1452592

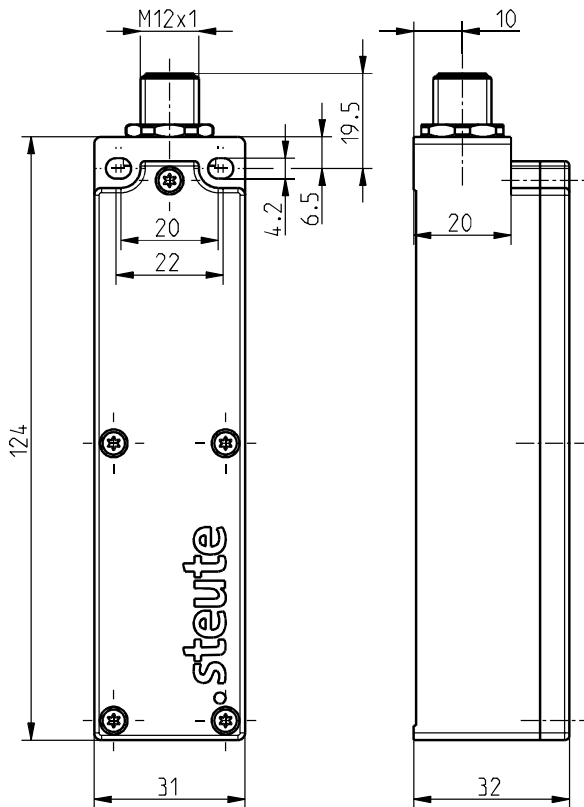
Features/Options:

- sWave.NET® wireless technology
- Cable-free - with cost savings for installation and maintenance
- Configurable online via wireless interface
- Simple operation and integration in existing ERP systems via Sensor Bridge
- High scalability - up to several hundred sensors in one application
- Battery life approx. 10 years
- Plug-in connector M12

Notes

- Factory delivery with battery type SL-760 (AA)

Dimensions



Technical data

Applied standards	EN 60947-5-1, EN 61000-6-2, EN 61000-6-3, EN 61000-4-2, EN 301 489-1, EN 301 489-3, EN 300 220-1, EN 300 220-2
Enclosure	thermoplastic, glass-fibre reinforced, impact resistant, self-extinguishing UL 94 V-0
Tightening torque	M4 enclosure mounting screws: max 1.2 Nm M2.5 cover screws: approx. 0.45 Nm
Degree of protection	IP 67 to IEC/EN 60529
Protocol	sWave.NET®
Frequency	868.3 MHz (Europe, China)
Transmission power	< 25 mW
Data rate	66 kbps
Channel bandwidth	350 kHz
Voltage supply	lithium battery Tadiran SL-2770 (replaceable)
System	Li/SOCl ₂
Nominal voltage	3.6 V
Nominal capacity	8.5 Ah

Errors and omissions excepted.



Wireless universal transmitter sWave.NET®
RF 96 ST SW868-NET
Material number: 1452592

Technical data

Battery life	depending on the switching frequency Magnetic sensor / external contact mainly not activated 10 s - >10 years (max. manufacturer's specification of storage life) Magnetic sensor / external contact mainly activated 10 s - >10 years (max. manufacturer's specification of storage life) Inductive sensor mainly not activated 10 s - approx. 3.6 years 100 s - approx. 3.8 years 1.000 s - approx. 3.9 years Inductive sensor mainly activated 10 s - approx. 7.4 years 100 s - approx. 8.6 years 1.000 s - approx. 8.7 years
--------------	--

Alternatively:	
Voltage supply	lithium battery Tadiran SL-760 (replaceable)
System	Li/SOCl ₂
Nominal voltage	3.6 V
Nominal capacity	2.2 Ah

Battery life	depending on the switching frequency Magnetic sensor / external contact mainly not activated 10 s - approx. 6.4 years 100 s - >10 years (max. manufacturer's specification of storage life) Magnetic sensor / external contact mainly activated 10 s - approx. 4.3 years 100 s - approx. 6.2 years 1,000 s - approx. 6.5 years Inductive sensor mainly not activated 10 s - approx. 1.0 years 100 s - approx. 1.0 years 1,000 s - approx. 1.0 years Inductive sensor mainly activated 10 s - approx. 2.0 years 100 s - approx. 2.4 years 1,000 s - approx. 2.4 years
--------------	---

Errors and omissions excepted.

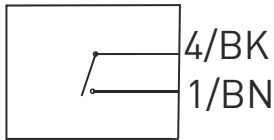


Wireless universal transmitter sWave.NET®
 RF 96 ST SW868-NET
 Material number: 1452592

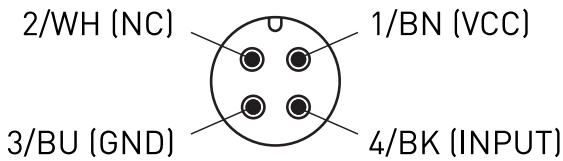
Technical data

Connection	plug-in connector M12 x 1, 4-pole
Connectable devices	RF IS M8, RF IS M12, RF IS M18, RF IS M30, RF RC 20, external switches using the connecting cable 1215497
Ambient temperature	-20 °C ... +65 °C
Operation cycles	max. 12000 telegrams with repetitions/h
Wireless range	max. 450 m outdoors, max. 40 m indoors
Actuating time	min. 80 ms
Note	transmission of battery voltage and switching condition
Wireless approvals	Europe: RED 2014/53/EU
Weight	120 g

External switch contact



Plug-in configuration



NC = not connected

Colour coding only valid for coupling 4-poles mat. no. 1215497 and coupling 4-poles mat. no. 1262873

Sensors

