



sWave.NET® Gateway with Sensor Bridge and Access Point RF RxT SW922-NET-M Material number: 1305450

Features/Options:

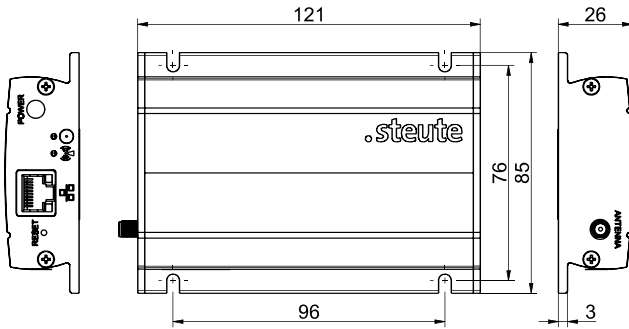
- sWave.NET® wireless technology
- User interface with practice-oriented, pre-installed settings
- SMA plug-in connector for external antenna
- Supported protocols: REST (XML / json), http(s) Notifications, MODBUS TCP/IP

- Web-based configuration and handling without any extra programming

Notes

- External antenna always required for optimum wireless range

Dimensions



Technical data

Applied standards	EN 60947-5-1, EN 61000-6-2, EN 61000-6-3, EN 61000-4-2, EN 61000-4-4, EN 61000-4-5, EN 61000-4-6, EN 60068-2-6, EN 60068-2-27, EN 301 489-1, EN 301 489-3, EN 300 220-1, EN 300 220-2
Degree of protection	IP 20 to IEC/EN 60529
Frequency	916.5 MHz (Japan)
Mounting	Screw connection or magnet holder
Connection	plug-in power supply with respective plug connectors
Network interface	10/100 Base-T Ethernet via RJ 45, Cat 5e (S/UTP or F/UTP) or SF/UTP
Software interface	REST API, json notifications via HTTP(S), Modbus TCP, configuration via browser
Rated operating current I_e	max. 0.1 A
Rated operating voltage U_e	24 VDC -15 % ... +10 %
Power dissipation (typ.)	1.2 W (24 VDC; 0.05 A)
Power dissipation (max.)	2.64 W (26.4 VDC; 0.1 A)
Display	Mode LED: ready for operation RF LED: signalisation of telegram
Degree of pollution	2
Ambient temperature	0 °C ... +55 °C
Storage and shipping temperature	-25 °C ... +85 °C

Wireless approvals

Japan:  ARIB STD-T108:
204-610002

Errors and omissions excepted.