



## Wireless receiver sWave.NET® Access Point RF RxT SW917-NET Material number: 1460558

### Features/Options:

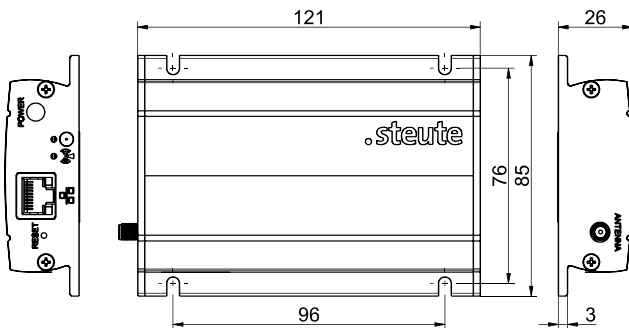
- sWave.NET® wireless technology
- Simple set-up
- Unlimited spatial expandability

### Notes

- External antenna always required for optimum wireless range

- Long transmission range (700 m outdoors, approx. 50 m indoors)
- Minimal configuration required due to dynamic self-organisation
- SMA reverse plug-in connector for external antenna

### Dimensions



### Technical data

Applied standards	EN 60947-5-1, EN 61000-6-2, EN 61000-6-3, EN 61000-4-2, EN 61000-4-4, EN 61000-4-5, EN 61000-4-6, EN 60068-2-6, EN 60068-2-27
Degree of protection	IP 20 to IEC/EN 60529
Frequency	917 MHz (Brazil)
Mounting	screw connection or magnet holder
Connection	plug-in power supply with respective plug connectors
Network interface	10/100 Base-T Ethernet via RJ 45, Cat 5e (S/UTP or F/UTP) or SF/UTP, optional WLAN (802.11 b/g/n)
Software interface	HTTP/XML (see protocol definition)
Rated operating current $I_e$	max. 0.1 A
Rated operating voltage $U_e$	24 VDC -15 % ... +10 %
Power dissipation (typ.)	1.2 W (24 VDC; 0.05 A)
Power dissipation (max.)	2.64 W (26.4 VDC; 0.1 A)
Display	Mode LED: ready for operation RF LED: signalisation of telegram
Degree of pollution	2
Ambient temperature	0 °C ... +55 °C
Storage and shipping temperature	-25 °C ... +85 °C
Vibration resistance	5 g (10-150 Hz)
Wireless approvals	Brazil: ANATEL 04172-18-06718
Weight	345 g

Errors and omissions excepted.