

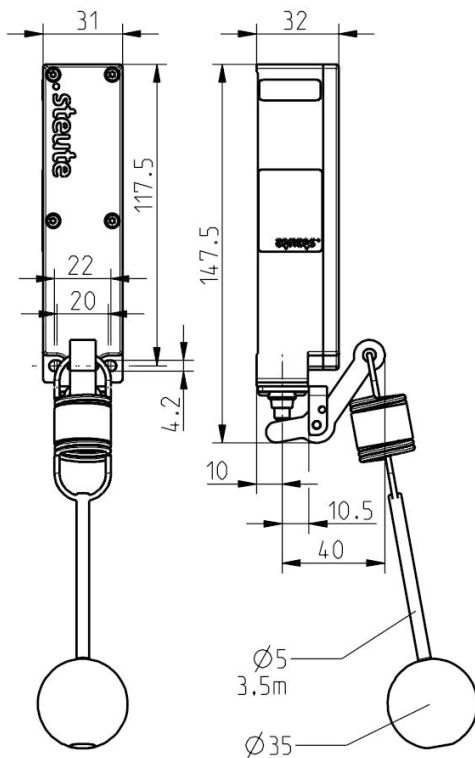


Wireless pull-wire switch sWave.NET® RF 96 WH/90°-NET

Features/Options:

- sWave.NET® wireless technology (SW868/SW915/SW917/SW922)
- Cable-free - with cost savings for installation and maintenance
- Configurable online via wireless interface
- Simple operation and integration in existing ERP systems via Sensor Bridge
- High scalability - up to several hundred sensors in one application
- Battery life approx. 10 years
- Thermoplastic enclosure
- Mounting details to EN 50047
- Including 3.2 m long pull-wire and ball

Dimensions



Technical data

Applied standards	EN 60947-5-1, EN 61000-6-2, EN 61000-6-3, EN 61000-4-2, EN 301 489-1, EN 301 489-3, EN 300 220-1, EN 300 220-2
Enclosure	thermoplastic, glass-fibre reinforced, impact resistant, self-extinguishing UL 94 V-0
Tightening torque	M4 enclosure mounting screws: max 1.2 Nm M2.5 cover screws: approx. 0.45 Nm
Degree of protection	IP 67 to IEC/EN 60529
Voltage supply	lithium battery (replaceable)
Ambient temperature	-20 °C ... +65 °C
Operation cycles	approx. 12000 telegrams with repetitions/h; SW922: max. 1440 telegrams/h
Wireless range	SW868/915/917: max. 450 m outside, max. 40 m inside SW922: max. 150 m outside, max. 20 m inside
Actuating time	min. 80 ms to max. 31.9 s (1 s preset)
Mechanical life	> 1 million operations
Note	Transmission of battery voltage and switching condition

Errors and omissions excepted.



Wireless pull-wire switch sWave.NET® RF 96 WH/90°-NET

Technical data

Wireless approvals

Europe: RED 2014/53/EU
USA: FCC Part 15.247: XK5-RF
Rx SW915
Canada: IC RSS-210: 5158A-RF
Rx SW 915
Mexico: IFT - RCPSTRF17-1886
Brazil: ANATEL 04172-18-06718

Japan:  ARIB STD-T108:
204-610002