

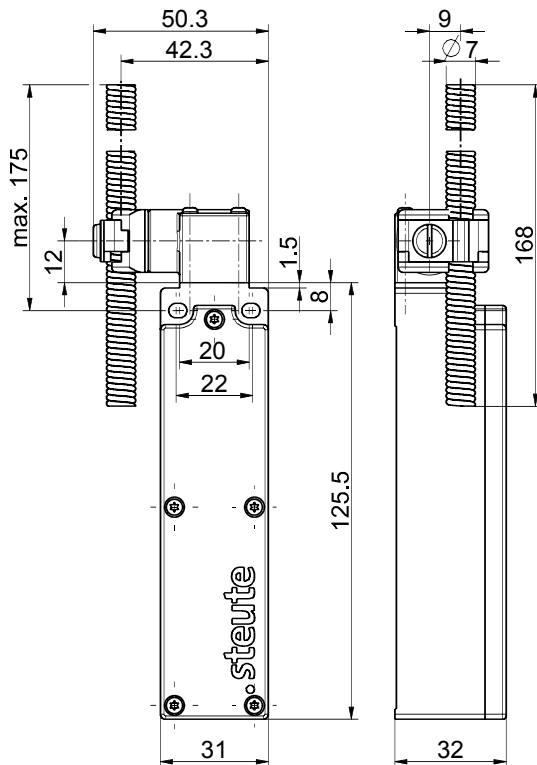


## Wireless position switch sWave.NET® RF 96 DF/90° SW922-NET Material number: on request

### Features/Options:

- sWave.NET® wireless technology
- Cable-free - with cost savings for installation and maintenance
- Configurable online via wireless interface
- Simple operation and integration in existing ERP systems via Sensor Bridge
- High scalability - up to several hundred sensors in one application
- Battery life approx. 10 years
- Actuator: Spring-rod lever DF
- Lever angle adjustable in 10° steps
- Actuator can be repositioned by 4 x 90°

### Dimensions



### Technical data


Applied standards	EN 60947-5-1, EN 61000-6-2, EN 61000-6-3, EN 61000-4-2, EN 301 489-1, EN 301 489-3, EN 300 220-1, EN 300 220-2
Enclosure	thermoplastic, glass-fibre reinforced, impact resistant, self-extinguishing UL 94 V-0
Tightening torque	M4 enclosure mounting screws: max 1.2 Nm M2.5 cover screws: approx. 0.45 Nm
Degree of protection	IP 67 to IEC/EN 60529
Protocol	sWave.NET®
Frequency	916.5 MHz (Japan)
Transmission power	< 1 mW
Data rate	66 kbps
Channel bandwidth	520 kHz
Voltage supply	lithium battery Tadiran SL-2770 (replaceable)
System	Li/SOCl <sub>2</sub>
Nominal voltage	3.6 V
Nominal capacity	8.5 Ah
Battery life	depending on the switching frequency 10 s > 10 years max. manufacturer's specification of storage life
Ambient temperature	-20 °C ... +65 °C
Operation cycles	max. 1440 telegrams with repetitions/h
Wireless range	max. 150 m outdoors, max. 20 m indoors

Errors and omissions excepted.



Wireless position switch sWave.NET®  
RF 96 DF/90° SW922-NET  
Material number: on request

## Technical data

Mechanical life	> 1 million operations
Actuating time	min. 80 ms
Note	transmission of battery voltage and switching condition
Wireless approvals	Japan:  ARIB STD-T108: 204-610002