



## Wireless position switch sWave.NET® RF 96 D/90° SW915-NET Material number: on request

### Features/Options:

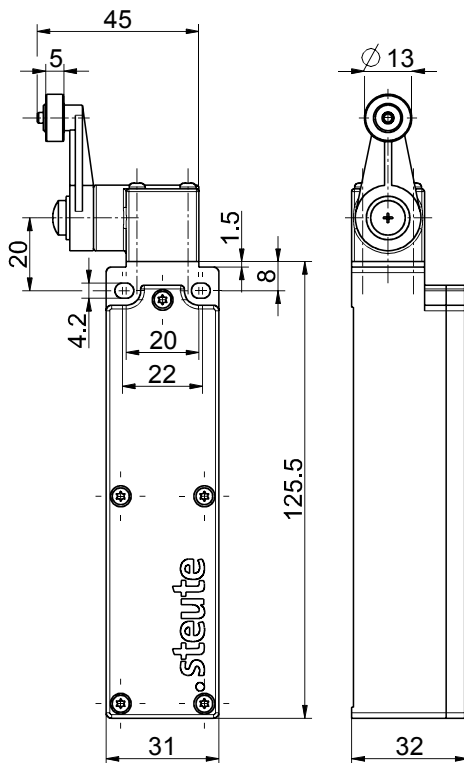
- sWave.NET® wireless technology
- Cable-free - with cost savings for installation and maintenance
- Configurable online via wireless interface
- Simple operation and integration in existing ERP systems via Sensor Bridge
- High scalability - up to several hundred sensors in one application

### Notes

- With metal roller available on request
- The battery must be ordered separately

- Battery life approx. 10 years
- Actuator: Rocking lever D
- Lever angle adjustable in 10° steps
- Wear-resistant plastic roller
- Actuator can be repositioned by 4 x 90°

### Dimensions



### Technical data

Applied standards	EN 60947-5-1, EN 61000-6-2, EN 61000-6-3, EN 61000-4-2, EN 301 489-1, EN 301 489-3, EN 300 220-1, EN 300 220-2
Enclosure	thermoplastic, glass-fibre reinforced, impact resistant, self-extinguishing UL 94 V-0
Tightening torque	M4 enclosure mounting screws: max 1.2 Nm M2.5 cover screws: approx. 0.45 Nm
Degree of protection	IP 67 to IEC/EN 60529
Protocol	sWave.NET®
Frequency	915 MHz (USA, Canada, Mexico, Australia)
Transmission power	< 25 mW
Data rate	66 kbps
Channel bandwidth	550 kHz
Voltage supply	lithium battery Tadiran TL-5920 (replaceable), alternatively SL-2770
System	Li/SOCl <sub>2</sub>
Nominal voltage	3.6 V
Nominal capacity	8.5 Ah
Alternatively:	
Voltage supply	lithium battery Tadiran SL-2770 (replaceable)
System	Li/SOCl <sub>2</sub>

Errors and omissions excepted.



Wireless position switch sWave.NET®  
RF 96 D/90° SW915-NET  
Material number: on request

## Technical data

Nominal voltage	3.6 V
Nominal capacity	8.5 Ah
Battery life	depending on the switching frequency 10 s > 10 years max. manufacturer's specification of storage life
Ambient temperature	-20 °C ... +65 °C
Operation cycles	max. 12000 telegrams with repetitions/h
Wireless range	max. 450 m outdoors, max. 40 m indoors
Mechanical life	> 1 million operations
Actuating time	min. 80 ms
Note	transmission of battery voltage and switching condition
Wireless approvals	USA: FCC - XK5-RFRXSW915 Canada: IC - 5158A-RFRXSW915 Mexico: IFT - RCPSTRF17-1886