



Wireless laser sensor sWave.NET® RF 96 SDS SW915-NET Material number: 1323956

Features/Options:

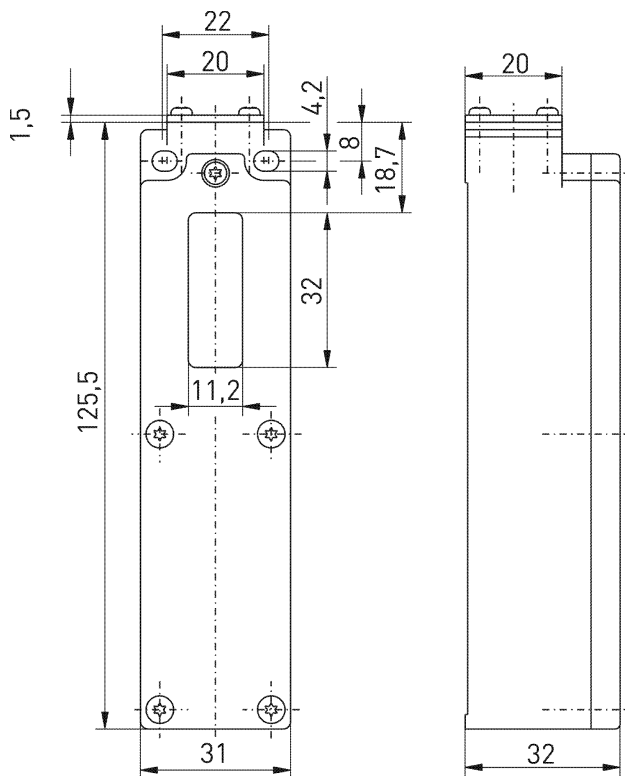
- sWave.NET® wireless technology
- Laser sensor: Logging with IR laser
- Impervious to optical interference from industrial surroundings
- Configurable online via wireless interface

Notes

- The battery must be ordered separately

- Simple operation and integration in existing ERP systems via Sensor Bridge
- Simple assembly in commercially available standard shelves
- Power supply by Lithium battery (replaceable)

Dimensions



Technical data

Applied standards	EN 60947-5-2, EN 61000-6-2, EN 61000-6-3, EN 301 489-1, EN 301 489-3, EN 300 220-1, EN 300 220-2
Enclosure	thermoplastic, glass-fibre reinforced, impact resistant, self-extinguishing UL 94 V-0
Tightening torque	M4 enclosure mounting screws: max 1.2 Nm M2.5 cover screws: approx. 0.45 Nm
Degree of protection	IP 54 to IEC/EN 60529
Protocol	sWave.NET®
Frequency	915 MHz (USA, Canada, Mexico, Australia)
Transmission power	< 25 mW
Data rate	66 kbps
Channel bandwidth	550 kHz
Voltage supply	lithium battery Tadiran TL-5920 (replaceable), alternatively SL-2770
System	Li/SOCl ₂
Nominal voltage	3.6 V
Nominal capacity	8.5 Ah
Alternatively:	
Voltage supply	lithium battery Tadiran SL-2770 (replaceable)
System	Li/SOCl ₂
Nominal voltage	3.6 V
Nominal capacity	8.5 Ah

Errors and omissions excepted.



Wireless laser sensor sWave.NET®
RF 96 SDS SW915-NET
Material number: 1323956

Technical data

Battery life	Typical values with default settings. Actuation interval 10 s - approx. 5.7 years 100 s - approx. 6.2 years 1,000 s - approx. 6.2 years 10,000 s - approx. 6.2 years N.B.: Changes in battery lifetime are almost linear to changes in cycle time.
Sensor	logging with IR laser
Laser class	Class 1 to EN 60825-1; 950 nm
Ambient temperature	0 °C ... +65 °C
Operation cycles	max. 7200 telegrams with repetitions/h
Switching frequency	adjustable 1 Hz to 0.032 Hz, default 0.2 Hz
Cycle time	adjustable, default 5 s, min. 1 s, max. 31 s
Switching distances	0 - 5 cm ... 0 - 50 cm, adjustable in 1 cm steps
Accuracy	± 20 mm
Field of view	27°
Hysteresis	one side, default 4 cm, adjustable in 1 cm steps
Standby current	130 µA with default settings (5 s cycle time)
Wireless range	max. 450 m outdoors, max. 40 m indoors
Actuating time	min. 20 ms
Note	transmission of battery voltage and switching condition
Wireless approvals	USA: FCC - XK5-RFRXSW915 Canada: IC - 5158A-RFRXSW915 Mexico: IFT - RCPSTRF17-1886