



Wireless optical sensor sWave.NET® RF 96 LT SW915-NET Material number: on request

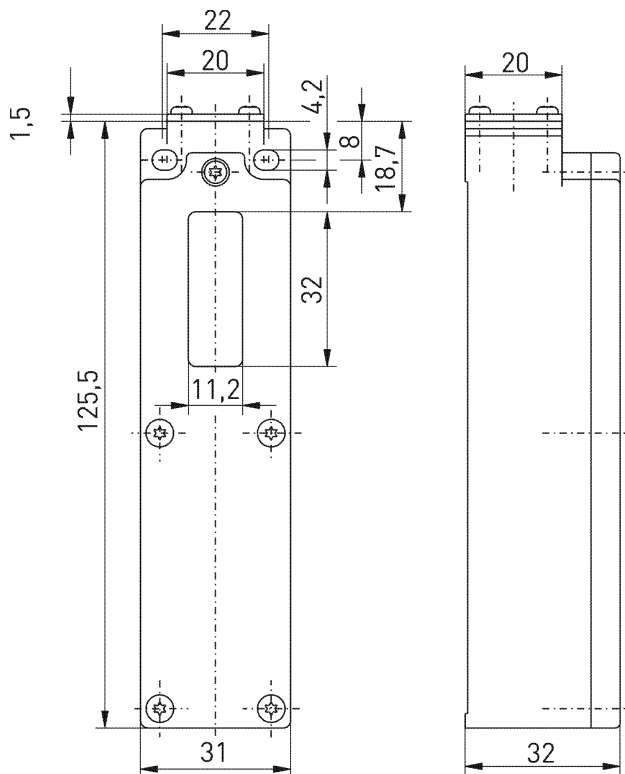
Features/Options:

- sWave.NET® wireless technology
- Light sensor: registration by light reflection
- Cable-free - with cost savings for installation and maintenance
- Configurable online via wireless interface
- Simple operation and integration in existing ERP systems via Sensor Bridge
- High scalability - up to several hundred sensors in one application
- Low switching frequency < 1 Hz

Notes

- The battery must be ordered separately

Dimensions



Technical data

Applied standards	EN 60947-5-1, EN 61000-6-2, EN 61000-6-3, EN 61000-4-2, EN 301 489-1, EN 301 489-3, EN 300 220-1, EN 300 220-2
Enclosure	thermoplastic, glass-fibre reinforced, impact resistant, self-extinguishing UL 94 V-0
Tightening torque	M4 enclosure mounting screws: max 1.2 Nm M2.5 cover screws: approx. 0.45 Nm
Degree of protection	IP 40 to IEC/EN 60529
Protocol	sWave.NET®
Frequency	915 MHz (USA, Canada and Mexico)
Transmission power	< 25 mW
Data rate	66 kbps
Channel bandwidth	550 kHz
Voltage supply	lithium battery Tadiran TL-5920 (replaceable), alternatively SL-2770
System	Li/SOCl ₂
Nominal voltage	3.6 V
Nominal capacity	8.5 Ah
Alternatively:	
Voltage supply	lithium battery Tadiran SL-2770 (replaceable)
System	Li/SOCl ₂
Nominal voltage	3.6 V

Errors and omissions excepted.



Wireless optical sensor sWave.NET®
RF 96 LT SW915-NET
Material number: on request

Technical data

Nominal capacity	8.5 Ah
Battery life	depending on the switching frequency sensor mainly not activated 1 s - ca. 1070 days, 10 s - ca. 2300 days, 100 s - ca. 2600 days sensor mainly activated 1 s - ca. 1000 days, 10 s - ca. 1300 days, 100 s - ca. 1400 days
Sensor	Ir reflective light sensor
Ambient temperature	0 °C ... +65 °C
Operation cycles	approx. 7200 telegrams with repetitions/h
Switching frequency	max. 1 Hz
Switching distances	white paper: 170 mm grey card 18% reflection: 90 mm storage box blue: 90 mm storage box red: 120 mm storage box black: 40 mm
Standby current	130 µA sensor not actuated, 250 µA sensor actuated
Wireless range	max. 450 m outside, max. 40 m inside
Actuating time	min. 300 ms
Note	Transmission of battery voltage and switching condition
Wireless approvals	USA: FCC Part 15.247: XK5-RF Rx SW915 Canada: IC RSS-210: 5158A-RF Rx SW 915 Mexico: IFT - RCPSTRF17-1886