



## Wireless command device sWave.NET® RF BF 74 RT SW917-NET Material number: 1339314

### Features/Options:

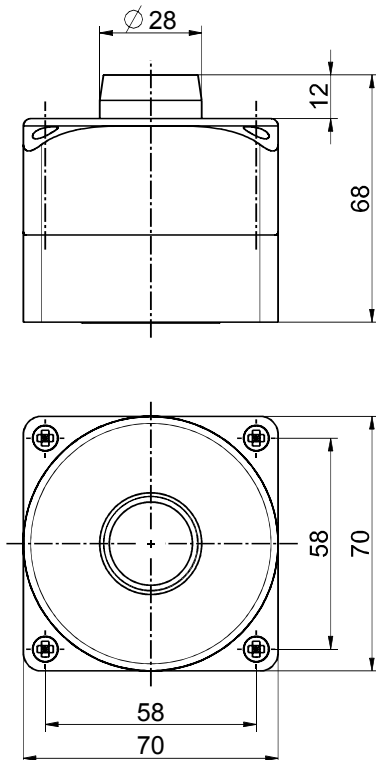
- Thermoplastic enclosure
- sWave.NET® wireless technology
- No wiring and pipe laying required
- Configurable online via wireless interface

### Notes

- The battery must be ordered separately

- Power supply by Lithium battery (replaceable)
- Actuator: Push button RT
- Actuator made of plastic

### Dimensions



### Technical data

Applied standards	EN 60947-5-1, EN 61000-6-2, EN 61000-6-3, EN 61000-4-2, EN 301 489-1, EN 301 489-3, EN 300 220-1, EN 300 220-2
Enclosure	polycarbonate
Tightening torque	cover screws: approx. 1.6 Nm
Degree of protection	IP 65 to IEC/EN 60529
Protocol	sWave.NET®
Frequency	917 MHz (Brazil)
Transmission power	< 25 mW
Data rate	66 kbps
Channel bandwidth	550 kHz
Voltage supply	lithium battery Tadiran TLL-5902/S (replaceable), alternatively SL-750/S
System	Li/SOCl <sub>2</sub>
Nominal voltage	3.6 V
Nominal capacity	1.1 Ah
Battery life	depending on the switching frequency 10 s ca. 1.5 years 1 min ca. 7.5 years manufacturer's specification of max. storage life
Ambient temperature	-20 °C ... +65 °C
Operation cycles	approx. 12000 telegrams with repetitions/h
Wireless range	max. 450 m outside, max. 40 m inside
Mechanical life	800 000 operations

Errors and omissions excepted.



Wireless command device sWave.NET®  
RF BF 74 RT SW917-NET  
Material number: 1339314

## Technical data

Actuating time	min. 80 ms to max. 31.9 s (1 s preset)
Note	Transmission of battery voltage and switching condition
Wireless approvals	Brazil: ANATEL 04172-18-06718

## Colour plate selection for RT (included in delivery of RT)



Errors and omissions excepted.