



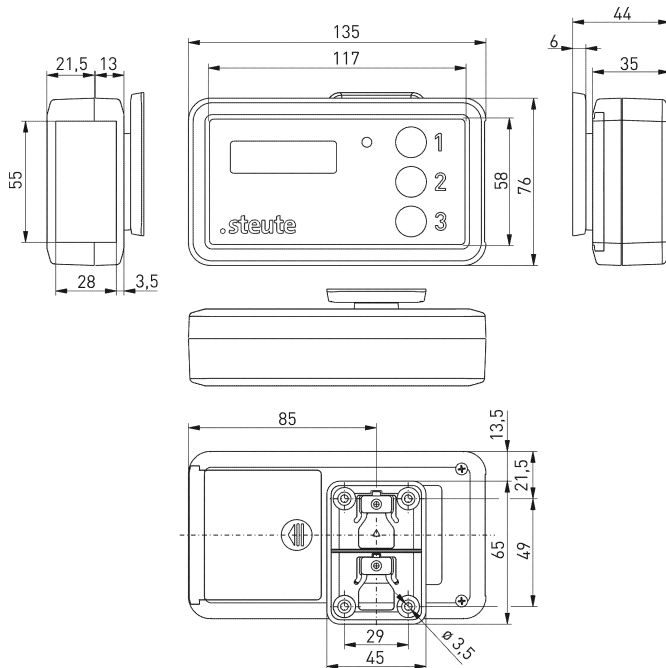
Wireless Andon push button sWave.NET® RF MAKD 3F SW915-NET Material number: 1490995

Features/Options:

- sWave.NET® wireless technology

- Thermoplastic enclosure

Dimensions



Technical data

Applied standards	EN 60947-5-1, EN 61000-6-2, EN 61000-6-3, EN 61000-4-2, EN 301 489-1, EN 301 489-3, EN 300 220-1, EN 300 220-2
Enclosure	ABS, self-extinguishing UL 94 V-0
Degree of protection	IP 40 to IEC/EN 60529
Protocol	sWave.NET®
Frequency	915 MHz (USA, Canada, Mexico, Australia)
Transmission power	< 25 mW
Data rate	66 kbps
Channel bandwidth	550 kHz
Voltage supply	3 x batteries Mignon/AA/LR6
Display	monochrome, high-contrast, 2x16 characters for individual text
Ambient temperature	-10 °C ... +60 °C
Wireless range	max. 450 m outdoors, max. 40 m indoors
Wireless approvals	USA: FCC - XK5-RFRXSW915 Canada: IC - 5158A-RFRXSW915 Mexico: IFT - RCPSTRF17-1886
Weight	173 g

Errors and omissions excepted.