



Wireless Andon push button sWave.NET® RF MAKD 3F SW868-NET Material number: 1450000

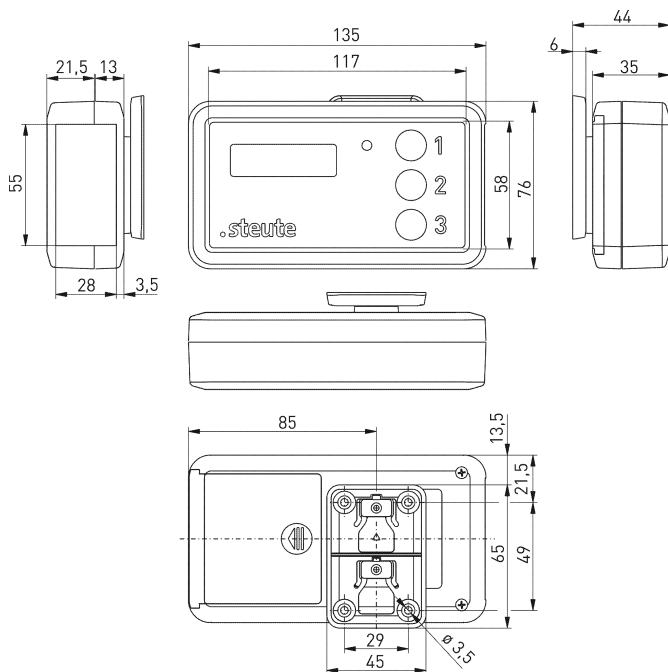
Features/Options:

- sWave.NET® wireless technology
- Thermoplastic enclosure

Notes

- The batteries are included in delivery

Dimensions



Technical data

| | |
|----------------------|--|
| Applied standards | EN 60947-5-1, EN 61000-6-2, EN 61000-6-3, EN 61000-4-2, EN 301 489-1, EN 301 489-3, EN 300 220-1, EN 300 220-2 |
| Enclosure | ABS, self-extinguishing UL 94 V-0 |
| Degree of protection | IP 40 to IEC/EN 60529 |
| Protocol | sWave.NET® |
| Frequency | 868.3 MHz (Europe, China) |
| Transmission power | < 25 mW |
| Data rate | 66 kbps |
| Channel bandwidth | 350 kHz |
| Voltage supply | 3 x batteries Mignon/AA/LR6 |
| Display | monochrome, high-contrast, 2x16 characters for individual text |
| Ambient temperature | -10 °C ... +60 °C |
| Wireless range | max. 450 m outdoors, max. 40 m indoors |
| Wireless approvals | Europe: RED 2014/53/EU |
| Weight | 165 g |

Errors and omissions excepted.