



Wireless Andon push-button sWave.NET® RF MAKD 3F-NET

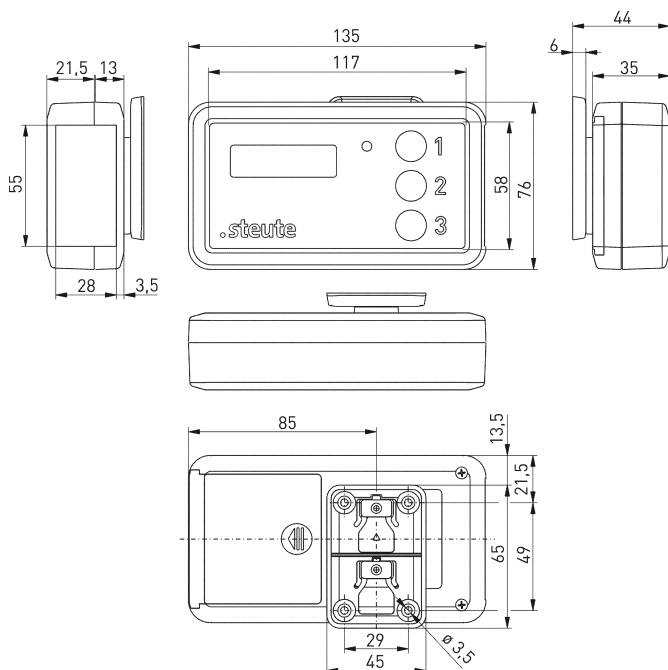
Features/Options:

- sWave.NET® wireless technology (SW868/SW915/SW917/SW922)
- Thermoplastic enclosure
- Power supply by battery


Notes

- The front foil is resistant to alcohol, ester, dilute acids, dilute alkalis, solvents, ketones and household cleaning agents.

Dimensions



Technical data

Applied standards	EN 60947-5-1, EN 61000-6-2, EN 61000-6-3, EN 61000-4-2, EN 301 489-1, EN 301 489-3, EN 300 220-1, EN 300 220-2
Enclosure	ABS, self-extinguishing UL 94 V-0
Degree of protection	IP 40 to IEC/EN 60529
Voltage supply	3 x batteries Mignon/AA/LR6
Display	monochrome, high-contrast, 2x16 characters for individual text
Ambient temperature	-10 °C ... +60 °C
Wireless range	SW868/915/917: max. 450 m outside, max. 40 m inside SW922: max. 150 m outside, max. 20 m inside
Wireless approvals	Europe: RED 2014/53/EU USA: FCC Part 15.247: XK5-RF Rx SW915 Canada: IC RSS-210: 5158A-RF Rx SW 915 Mexico: IFT - RCPSTRF17-1886 Brazil: ANATEL 04172-18-06718 Japan:  ARIB STD-T108: 204-610002

Errors and omissions excepted.