



Wireless actuator sWave.NET® RF Rx SW915-NET-4S-A Material number: 1455790

Features/Options:

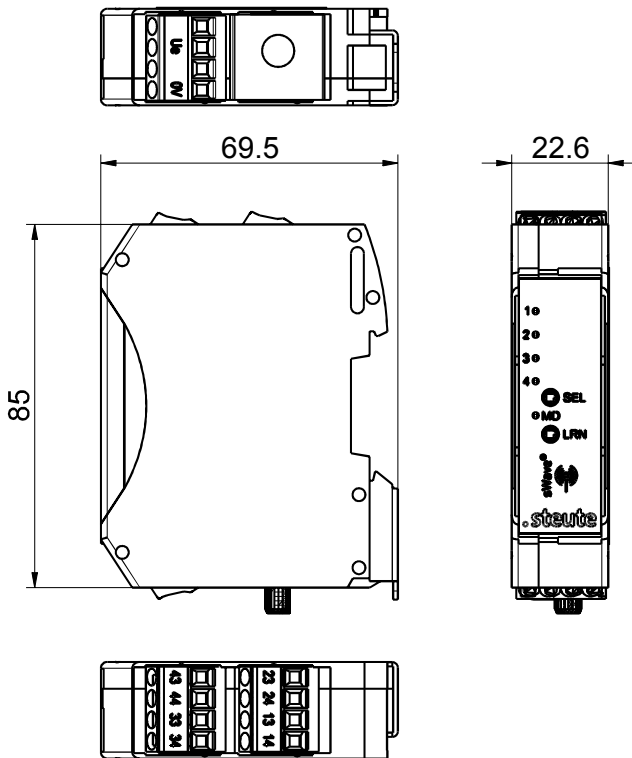
- sWave.NET® wireless technology
- 4 potential-free relay outputs
- Simple operation and integration in existing ERP systems via Sensor Bridge

- LEDs for indication of switching state
- Long transmission range (700 m outdoors, approx. 50 m indoors)
- SMA reverse plug-in connector for external antenna

Notes

- External antenna always required for optimum wireless range

Dimensions



Technical data

Applied standards	EN 60947-5-1, EN 61000-6-2, EN 61000-6-3, EN 61000-4-2, EN 61000-4-4, EN 61000-4-5, EN 61000-4-6, EN 60068-2-6, EN 60068-2-27, EN 301 489-1, EN 301 489-3, EN 300 220-1, EN 300 220-2
Enclosure	thermoplastic, glass-fibre reinforced, impact resistant, self-extinguishing UL 94 V-0
Degree of protection	IP 20 to IEC/EN 60529
Protocol	sWave.NET®
Frequency	915 MHz (USA, Canada and Mexico)
Transmission power	< 25 mW
Data rate	66 kbps
Channel bandwidth	550 kHz
Number of channels	4
Mounting	DIN rail mounting
Connection	screw connection terminals 0.14 mm ² - 2,5 mm ² , stripping length 8 mm
Inputs	2 additional push buttons (SEL, LRN)
Outputs	4 NO contacts (relay)
Current absorption	max. 0.02 A (standby current), up to max. 0.1 A (4 relays energised)
Rated operating current/voltage I_e/U_e	max. 0.1 A/24 VDC -15 % ... +10 %; output contacts: 3 A/250 VAC; 3 A/24 VDC
Utilisation category	AC-15; DC-13

Errors and omissions excepted.



Wireless actuator sWave.NET®
RF Rx SW915-NET-4S-A
Material number: 1455790

Technical data

Rated operating isolation voltage U_i	250 VAC
Rated impulse withstand voltage U_{imp}	2.5 kV
Wireless range	max. 700 m outside, max. 50 m inside
Display	green LED: ready for operation, orange LED: signalling of switching state
Operation cycles	approx. 12000 telegrams with repetitions/h
Degree of pollution	2
Ambient temperature	0 °C ... +55 °C
Storage and shipping temperature	-25 °C ... +85 °C
Note	Inductive loads (contactors, relays etc.) are to be suppressed by suitable circuitry. Switching contacts are not suitable for capacitive loads.
Wireless approvals	USA: FCC Part 15.247: XK5-RF Rx SW915 Canada: IC RSS-210: 5158A-RF Rx SW 915 Mexico: IFT - RCPSTRF17-1886