



Wireless actor sWave.NET® RF Rx SW868-NET-4S-A Material number: 1454159

Features/Options:

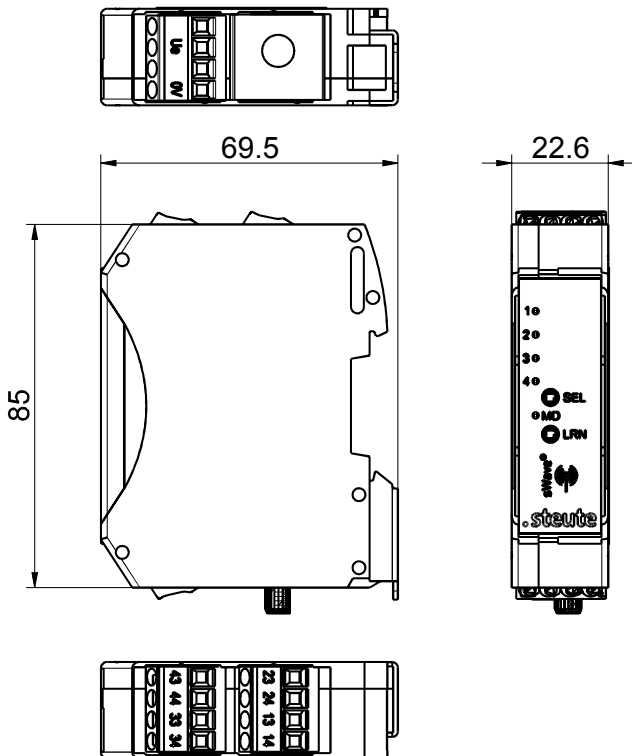
- sWave.NET® wireless technology
- 4 potential-free relay outputs
- Simple operation and integration in existing ERP systems via Sensor Bridge

- LEDs for indication of switching state
- Long transmission range (700 m outdoors, approx. 50 m indoors)
- SMA plug-in connector for external antenna

Notes

- External antenna always required for optimum wireless range

Dimensions



Technical data

Enclosure	thermoplastic, glass-fibre reinforced, impact resistant, self-extinguishing UL 94 V-0
Protocol	sWave.NET®
Frequency	868.3 MHz (Europe, China)
Transmission power	< 25 mW
Data rate	66 kbps
Channel bandwidth	350 kHz
Weight	86 g