



## Wireless actor sWave.NET® RF Rx SW915-NET-4S-A 48V Material number: on request

### Features/Options:

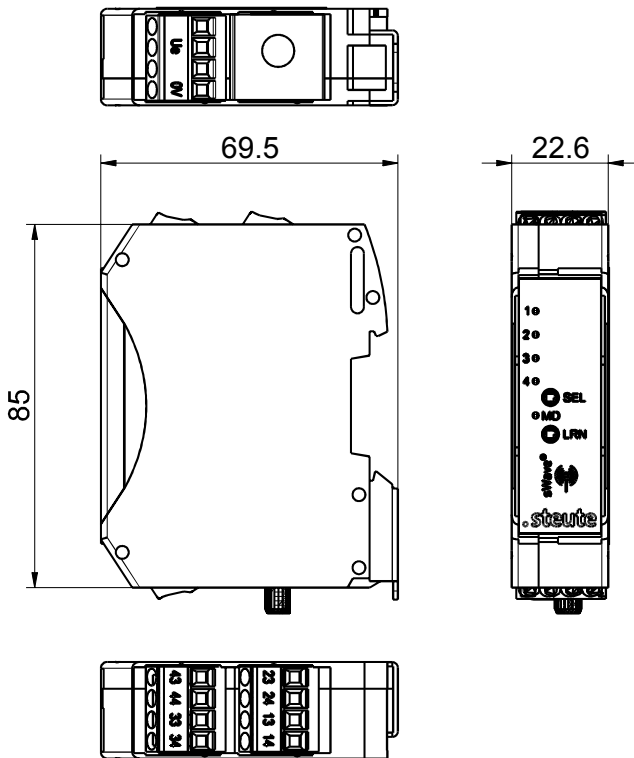
- sWave.NET® wireless technology
- 4 potential-free optocoupler outputs
- Simple operation and integration in existing ERP systems via Sensor Bridge

- LEDs for indication of switching state
- Long transmission range (700 m outdoors, approx. 50 m indoors)
- SMA reverse plug-in connector for external antenna

### Notes

- External antenna always required for optimum wireless range

### Dimensions



### Technical data

Applied standards	EN 60947-5-1, EN 61000-6-2, EN 61000-6-3, EN 61000-4-2, EN 61000-4-4, EN 61000-4-5, EN 61000-4-6, EN 60068-2-6, EN 60068-2-27, EN 301 489-1, EN 301 489-3, EN 300 220-1, EN 300 220-2
Enclosure	thermoplastic, glass-fibre reinforced, impact resistant, self-extinguishing UL 94 V-0
Degree of protection	IP 20 to IEC/EN 60529
Protocol	sWave.NET®
Frequency	915 MHz (USA, Canada, Mexico, Australia)
Transmission power	< 25 mW
Data rate	66 kbps
Channel bandwidth	550 kHz
Number of channels	4
Mounting	DIN rail mounting
Connection	screw connection terminals 0.14 mm <sup>2</sup> - 2,5 mm <sup>2</sup> , stripping length 8 mm
Inputs	2 additional push buttons (SEL, LRN)
Outputs	4 potential-free normally open contacts (optoelectronic photo relays)
Rated operating voltage range $U_B$	12...48 VDC (-10 % ... +25 %, abs. max. 60 V)
Rated operating current $I_e$	48 VDC: max. 16 mA 24 VDC: max. 21 mA

Errors and omissions excepted.



Wireless actor sWave.NET®  
RF Rx SW915-NET-4S-A 48V  
Material number: on request

## Technical data

Current absorption	at 48 VDC: typ. 1.9 mA (standby current) typ. 8 mA (1 output switched) typ. 8 mA (2 outputs switched) typ. 9 mA (3 outputs switched) typ. 10 mA (4 outputs switched)
Rated operating voltage $U_e$	48 VDC
Rated operating current/ voltage $I_e/U_e$	output contacts: 0.5 A / 48 VDC (abs. max. 60 V)
Utilisation category	DC-13
Wireless range	max. 700 m outdoors, max. 50 m indoors
Display	green LED: ready for operation, orange LED: signalling of switching state
Operation cycles	max. 12000 telegrams with repetitions/h
Degree of pollution	2
Ambient temperature	0 °C ... +55 °C
Storage and shipping temperature	-25 °C ... +85 °C
Note	Inductive loads (contactors, relays etc.) are to be suppressed by suitable circuitry. Switching contacts are not suitable for capacitive loads.
Wireless approvals	USA: FCC - XK5-RFRXSW915 Canada: IC - 5158A-RFRXSW915 Mexico: IFT - RCPSTRF17-1886

Errors and omissions excepted.