



Medical wireless foot switch MKF 3 SW2.4LE-MED GP311

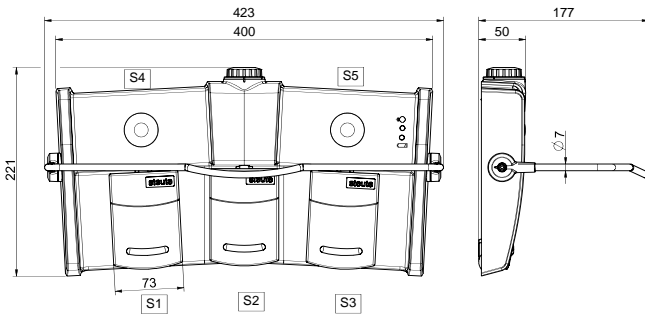
Features/Options:

- Wireless signal transmission per steute wireless low energy
- Power supply via 3 commercially available batteries (AA)
- Typical battery life: 230 days

Notes

- Photo shows optional accessories

Dimensions



Technical data

Applied standards	IEC 60601-1, ANSI/AAMI ES60601-1, IEC 62304, IEC 60529
Pedal	thermoplastic, impact resistant, self-extinguishing UL 94 V-0/V-2
Housing	thermoplastic, shock-proof, self-extinguishing UL 94 V-0, Pantone Cool Gray 1C
Antenna	internal antenna
Degree of protection	IP X8 to IEC/EN 60529
Frequency	2.4 - 2.4835 GHz
Channel bandwidth	2 MHz
Output power	3 dBm - 7 dBm
Input sensitivity	-93 dBm
HF data rate	1 Mbps
Modulation principle	GFSK, adaptive frequency hopping of 40 channels
Interface data rate	115.2 kBd (UART)
Voltage supply	3 commercially available batteries, type AA
Switching elements	reed contact / micro switch / Hall sensor
Switching system	1 – 2 NO contacts
Mechanical life	> 1 million operations
Wireless range	10 m (typical)
Conformity	Global: cCSAus IEC 60601-1, -1-2, -2-22, -2-43 Europe: CE EN 300 328; EN 62479; EN 301 489-1; EN 62368-1 USA: FCC Title 47 CFR, Part 15 Canada: IC RSS-247, Issue 1 Japan: ARIB STD-T66

Errors and omissions excepted.



Medical wireless foot switch MKF 3 SW2.4LE-MED GP311

Note

Since this article is part of a medical product, it can only be validated in combination with the overall system. Proof of conformity to the Medical Device Regulation (MDR 2017/745) can therefore only be handled by the customer marketing the system. At the request of the customer, steute can affix a CE mark with the 4-digit number of the appropriate notified body.