



Medical wireless foot switch MFS MICROSCOPE SW2.4LE-MED

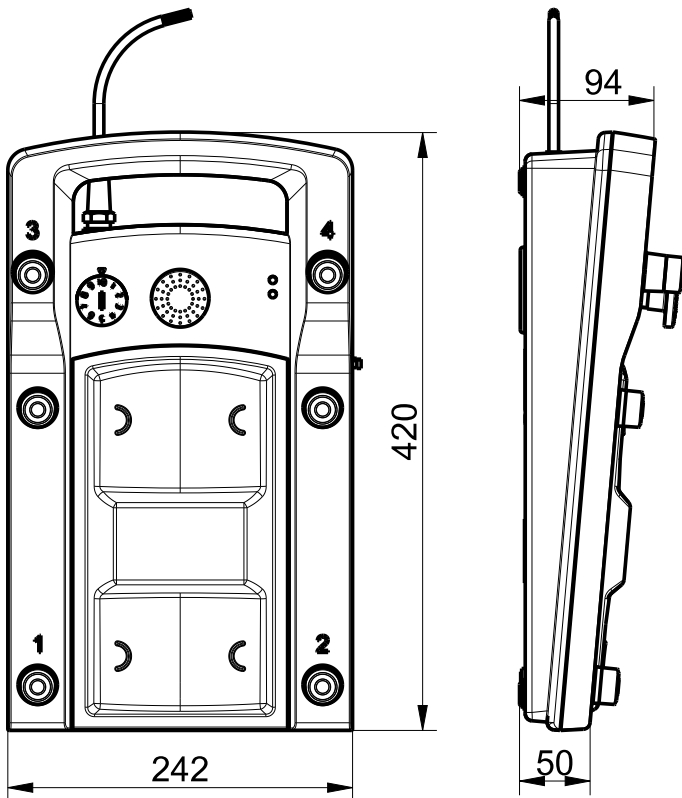
Features/Options:

- Wireless signal transmission per steute wireless low energy
- Power supply via 3 commercially available batteries, type C
- Battery compartment can be opened by hand
- Zoom and focus functions with central foot rest
- Joystick for positioning microscope
- 6 additional buttons with programmable functions
- Very easy to clean

Notes

- Photo shows optional accessories

Dimensions



Technical data

Applied standards	IEC 60601-1, ANSI/AAMI ES60601-1, IEC 62304, IEC 60529
Enclosure	thermoplastic, impact resistant
Rocker switch	robust, operating theatre approved silicon
Actuator	robust, operating theatre approved silicon
Antenna	internal antenna
Degree of protection	IP X8 to IEC/EN 60529
Frequency	2.4 - 2.4835 GHz
Channel bandwidth	2 MHz
Output power	3 dBm - 7 dBm
Input sensitivity	-93 dBm
HF data rate	1 Mbps
Modulation principle	GFSK, adaptive frequency hopping of 40 channels
Interface data rate	115.2 kBd (UART)
Voltage supply	3 commercially available batteries, type C
Switching system	rocker switch: 4 switching functions push button: 6 switching functions joystick: 4 switching functions (diagonal switching)
Mechanical life	> 250 000 operations
Wireless range	10 m (typical)

Errors and omissions excepted.



Medical wireless foot switch MFS MICROSCOPE SW2.4LE-MED

Technical data

Conformity

Europe: CE EN 300 328; EN 62479; EN 301 489-1; EN 62368-1
USA: FCC Title 47 CFR, Part 15
Canada: IC RSS-247, Issue 1
Japan: ARIB STD-T66

Note

Since this article is part of a medical product, it can only be validated in combination with the overall system. Proof of conformity to the Medical Device Regulation (MDR 2017/745) can therefore only be handled by the customer marketing the system. At the request of the customer, steute can affix a CE mark with the 4-digit number of the appropriate notified body.