



## Medical rocker foot switch WF-MED

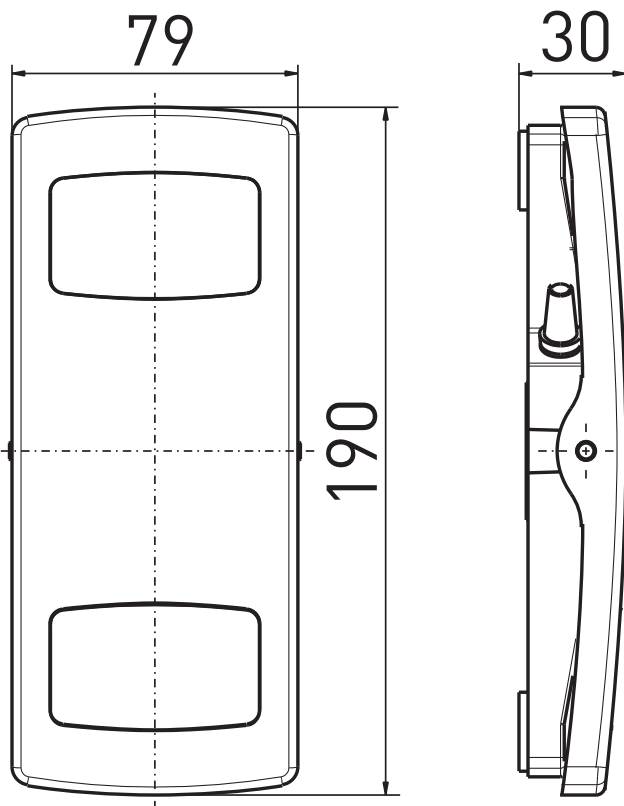
### Features/Options:

- Rocker switch for rapid switching between two functions
- Robust powder-coated die-cast zinc foot control
- Waterproof: IPX8 (IEC 60529)
- Digital or analogue output signals available

### Notes

- Photo shows optional accessories

### Dimensions



### Technical data

|                            |  |
|----------------------------|--|
| Applied standards          | IEC 60601-1, ANSI/AAMI ES60601-1, IEC 60529  |
| Pedal                      | GD-Zn alloy, RAL 7035  |
| Pedal housing              | thermoplastic, impact resistant, self-extinguishing UL 94 V-0                              |
| Degree of protection       | IP X8 to IEC/EN 60529  |
| Switching elements         | reed contact / micro switch / Hall sensor  |
| Switching system           | 1 – 2 NO contacts / 1 change-over / analogue output 0 ... 10 VDC, 0 ... 20 mA, 4 ... 20 mA |
| Mechanical life            | > 1 million operations   |
| Connection                 | 2 m cable, other lengths optionally available  |
| Switching voltage          | max. 25 VAC / 60 VDC   |
| Switch-on current          | max. 1 A   |
| Switching capacity         | Reed contacts: max. 20 VA, micro switch: max. 30 VA  |
| Supply voltage Hall sensor | 15 ... 30 VDC / max. 25 mA   |