



## Medical multi-function foot switch MFS-MED GP712

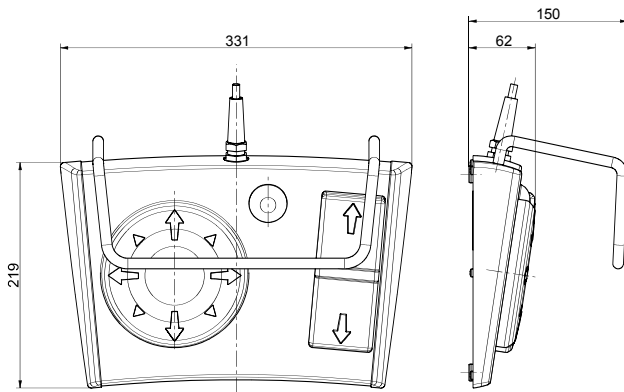
### Features/Options:

- Robust plastic housing
- Joypad with joystick function, diagonal switching
- Rocker switch for rapid switching between two functions
- Additional push buttons for extra functionality (optional)
- Stainless steel carrying handle (optional)
- Very easy to clean

### Notes

- Photo shows optional accessories

### Dimensions



### Technical data

Applied standards	IEC 60601-1, ANSI/AAMI ES60601-1, IEC 60529
Enclosure	thermoplastic, impact resistant, self-extinguishing UL 94 V-0, RAL 7035
Base plate	stainless steel
Joypad	robust, operating theatre approved silicon, RAL 5005
Rocker switch	robust, operating theatre approved silicon, RAL 5005
Actuator	robust, operating theatre approved silicon, RAL 5005
Degree of protection	IP X8 to IEC/EN 60529
Switching elements	micro switch
Switching system	1 – 2 NO contacts
Mechanical life	> 1 million operations
Connection	2 m cable, other lengths optionally available
Switching voltage	max. 25 VAC / 60 VDC
Switch-on current	max. 1 A
Switching capacity	max. 30 VA

Errors and omissions excepted.