



## Medical multi-function foot switch MFS-MED GP71

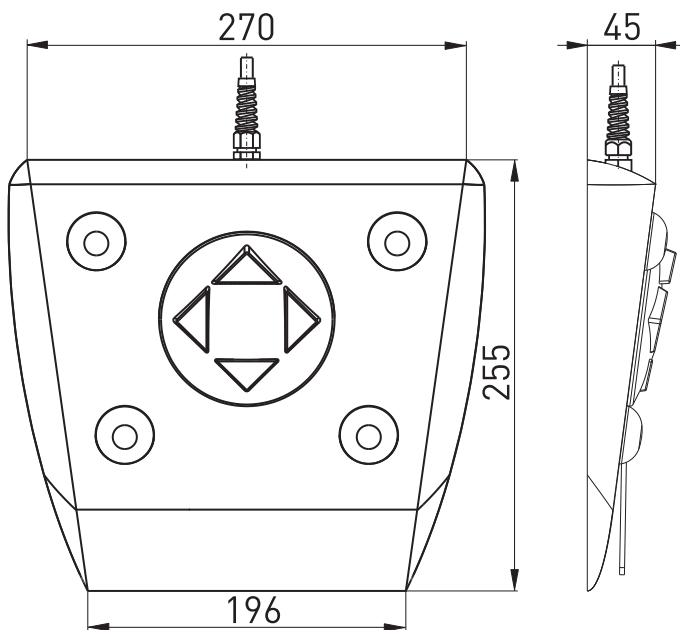
### Features/Options:

- Variable aluminium housing for additional functions
- Joypad with joystick function
- Rocker switch for rapid switching between two functions
- Additional push buttons for extra functionality (optional)
- Carrying handle (optional)
- Ergonomic design

### Notes

- Photo shows optional accessories

### Dimensions



### Technical data

Applied standards	IEC 60601-1, ANSI/AAMI ES60601-1, IEC 60529
Enclosure	GD-Al alloy, RAL 7035
Joypad	robust, operating theatre approved silicon, RAL 5005
Rocker switch	GD-Zn alloy, RAL 7035
Actuator	robust, operating theatre approved silicon, RAL 5005
Degree of protection	IP X8 to IEC/EN 60529
Switching elements	joypad / actuator: micro switch, Rocker switch: reed contact / micro switch / Hall sensor
Switching system	joypad / actuator: 1 – 2 NO contacts, Rocker switch: 1 – 2 NO contacts / 1 change-over / analogue output 0 ... 10 VDC, 0 ... 20 mA, 4 ... 20 mA
Mechanical life	> 1 million operations
Connection	2 m cable, other lengths optionally available
Switching voltage	max. 25 VAC / 60 VDC
Switch-on current	max. 1 A
Switching capacity	Reed contacts: max. 20 VA, micro switch: max. 30 VA

Errors and omissions excepted.