



Foot switches for operating theatre beds/chairs MFS-MED GP71

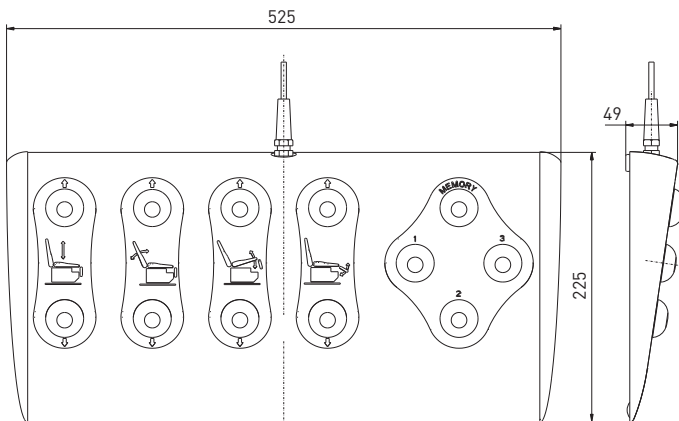
Features/Options:

- High mechanical stability
- Ergonomic design
- Easy-to-clean
- Digital output signals
- Additional push-buttons
- LEDs
- Protective bracket
- Class AP
- Plug-in connector
- Different RAL colours

Notes

- Photo shows optional accessories

Dimensions



Technical data

Standards	IEC 60601-1; UL 60601-1; IEC 60529; MDD 93/42/EEC
Enclosure	GD-Al alloy, RAL 7035
Actuator / joypad	robust, operating theatre approved silicon
Degree of protection	IP X5 to IEC/EN 60529, up to IP X8 as option
Switching elements	reed contact / micro switch
Switching system	1 – 2 NO contacts
Mechanical life	> 1 million operations
Connection	2 m cable, other lengths optionally available
Switching voltage	max. 25 VAC/60 VDC
Switch-on current	max. 1 A / max. 5 A
Switching capacity	max. 30 VA / max. 1250 VA