



## 3-pedal medical foot switch MTF 3-MED

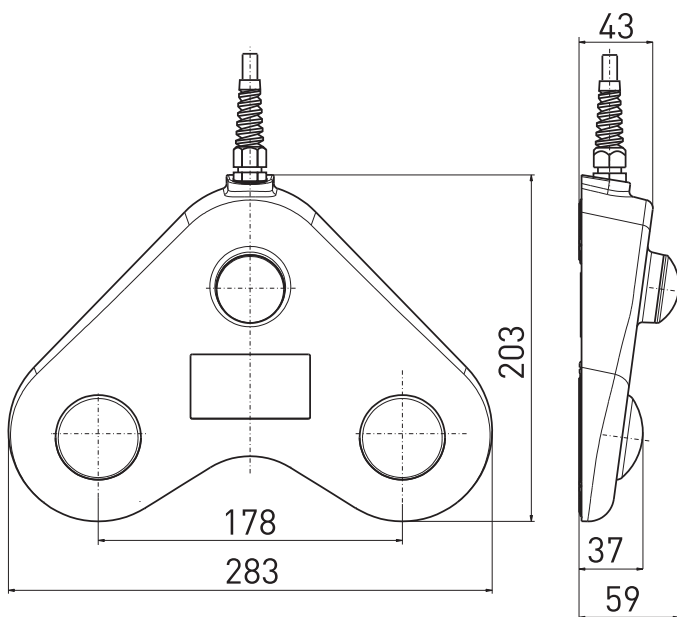
### Features/Options:

- Aluminium housing with flat design
- Ergonomic design
- Tactile switching points
- Waterproof: IPX8 (IEC 60529)
- Very easy to clean
- Digital output signals

### Notes

- Photo shows optional accessories

### Dimensions



### Technical data

|                      |   |
|----------------------|---|
| Applied standards    | IEC 60601-1, ANSI/AAMI ES60601-1, IEC 60529   |
| Enclosure            | GD-Al alloy, RAL 7035                         |
| Actuator             | robust, operating theatre approved silicon    |
| Degree of protection | IP X8 to IEC/EN 60529                         |
| Switching system     | reed contacts                                 |
| Switching elements   | 1 – 2 NO contacts per actuator                |
| Mechanical life      | > 1 million operations                        |
| Connection           | 2 m cable, other lengths optionally available |
| Switching voltage    | max. 25 VAC / 60 VDC                          |
| Switch-on current    | max. 1 A                                      |
| Switching capacity   | max. 30 VA                                    |

Errors and omissions excepted.