



2-pedal medical foot switch VKF 2-MED

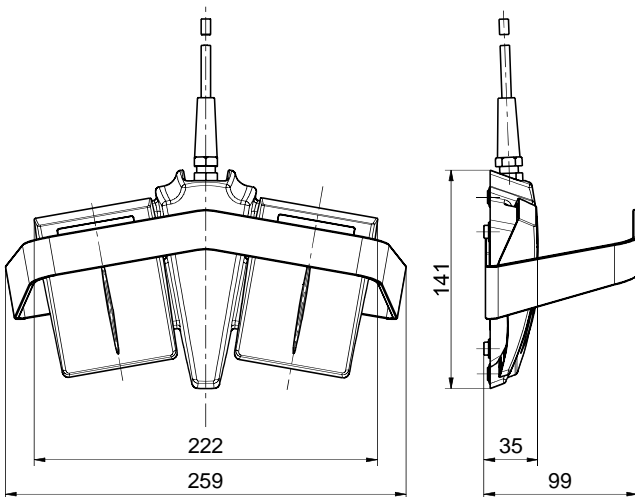
Features/Options:

- Affordable
- High mechanical stability
- Compact design
- Stainless steel carrying handle (optional)
- Up to 2 switching functions per pedal
- Normally open or changeover contacts
- Waterproof: IPX8 (IEC 60529)

Notes

- Photo shows optional accessories

Dimensions



Technical data

| | |
|----------------------|---|
| Applied standards | IEC 60601-1 |
| Pedal | thermoplastic, impact resistant, self-extinguishing UL 94 V-2 |
| Housing | thermoplastic, impact resistant, self-extinguishing UL 94 V-0 |
| Degree of protection | IP X8 to IEC/EN 60529 |
| Switching elements | micro switch |
| Mechanical life | > 200 000 operations |
| Connection | 3 m cable, other lengths optionally available |
| Switching voltage | max. 25 VAC / 60 VDC |
| Switch-on current | max. 1 A |
| Switching capacity | max. 30 VA |