



2-pedal medical foot switch MKF 2-MED GP25

Features/Options:

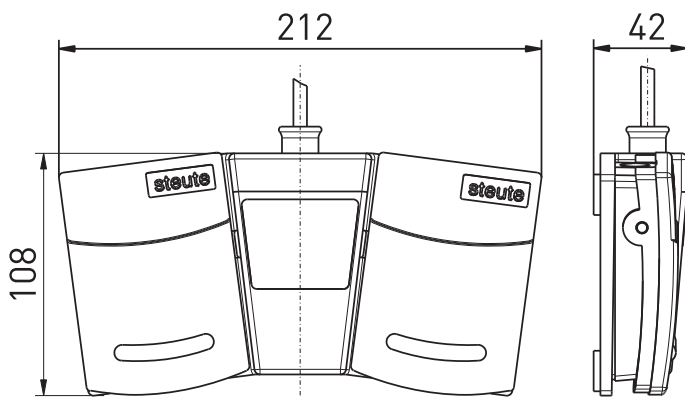
- Robust fibreglass-reinforced plastic foot control
- Fibreglass-reinforced plastic housing
- Waterproof: IPX8 (IEC 60529)

Notes

- Photo shows optional accessories

- Stainless steel carrying handle (optional)
- Digital or analogue output signals available
- Different RAL colours available

Dimensions



Technical data

Applied standards	IEC 60601-1, ANSI/AAMI ES60601-1, IEC 60529
Pedal	thermoplastic, impact resistant, self-extinguishing UL 94 V-0/V-2
Housing	thermoplastic, impact resistant, self-extinguishing UL 94 V-0, black
Degree of protection	IP X8 to IEC/EN 60529
Switching elements	reed contact / micro switch / Hall sensor
Switching system	1 – 2 NO contacts / 1 change-over / analogue output 0 ... 10 VDC, 0 ... 20 mA, 4 ... 20 mA
Mechanical life	> 1 million operations
Connection	2 m cable, other lengths optionally available
Switching voltage	max. 25 VAC / 60 VDC
Switch-on current	max. 1 A
Switching capacity	Reed contacts: max. 20 VA, micro switch: max. 30 VA
Supply voltage Hall sensor	15 ... 30 VDC / max. 25 mA