



1-pedal medical foot switch MGFS-MED

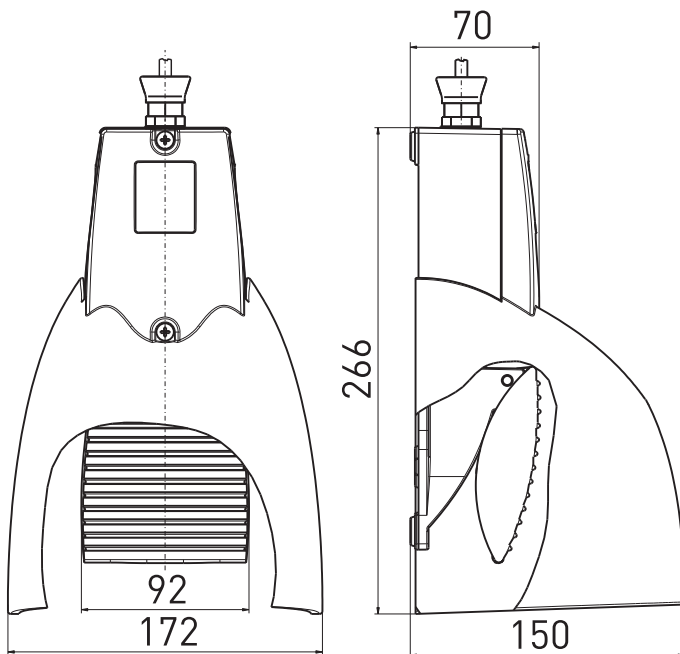
Features/Options:

- Robust die-cast aluminium foot control
- Protective shield prevents unintended actuation (IEC 60601-2-22)
- Powder coating

Notes

- Photo shows optional accessories

Dimensions



Technical data

Applied standards	IEC 60601-1, ANSI/AAMI ES60601-1, IEC 60529
Enclosure	GD-Al alloy, RAL 7040
Pedal	GD-Al alloy, RAL 7040
Protective shield	GD-Al alloy, RAL 7035
Degree of protection	IP X8 to IEC/EN 60529
Switching system	switch insert: 1 NC/1 NO, 2 NC/2 NO microswitch: 1 change-over contact potentiometer: 1, 2, 5, 10 kOhm Hall sensor: HS 0-10 V, 0(4)-20 mA
Mechanical life	> 1 million operations
Connection	2 m cable, other lengths optionally available
Switching voltage	max. 25 VAC / 60 VDC
Switch-on current	max. 1 A
Switching capacity	max. 30 VA
Supply voltage Hall sensor	15 ... 30 VDC / max. 25 mA