



Position switch

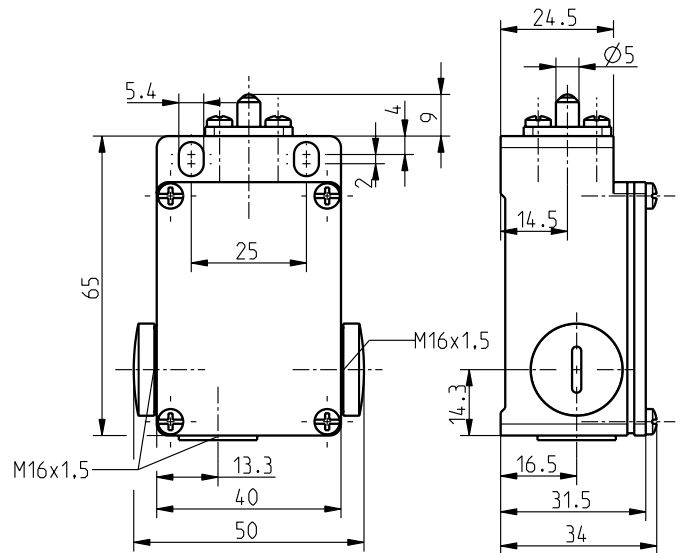
EM 411 IÖ/1S

Material no.: 1046676 (material no. old: 43101001)

Product features

- Metal enclosure
- Snap action, change-over contact with double break
- 3 cable entries M16 x 1.5
- Actuator: Plunger
- Actuating speed max. 0.5 m/s with a vertical actuating angle of 20°
- Vertical actuation or actuation from side possible
- Actuator with captive stainless steel ball
- Exact repeatability of switching point

Dimensions



Technical data

Applied standards
EN 60947-5-1

Enclosure
aluminium die-cast, powder-coated

Degree of protection
IP65 (IEC/EN 60529)

Contact material
silver

Switching system
snap action

Switching elements
1 NC/1 NO contact, type Zb

Connection
screw connection terminals

Cable cross-section
max. 2.5 mm² (incl. conductor ferrules)

Cable entry
3 x M16 x 1.5

Rated impulse withstand voltage U_{imp}
4 kV

Rated insulation voltage U_i
400 V

Conventional thermal current I_{the}
6 A

Utilisation category
AC-15

Rated operating current/voltage I_e/U_e
6 A/400 VAC

Short-circuit protection
6 A gG/gN fuse

Mechanical life
> 1 million operations

Operation cycles
max. 3600/h

Ambient temperature
-20 °C ... +80 °C

Repeat accuracy of switching points
± 0.1 mm

Approvals



Weight
130 g

Errors and omissions excepted.

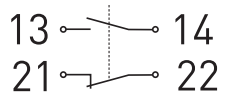


Position switch

EM 411 1Ö/1S

Material no.: 1046676 (material no. old: 43101001)

Contact diagram



Switching diagram

