



Position switch with safety function ES 13 WPH-S 2Ö/1S - 5m Material number: on request

Features/Options:

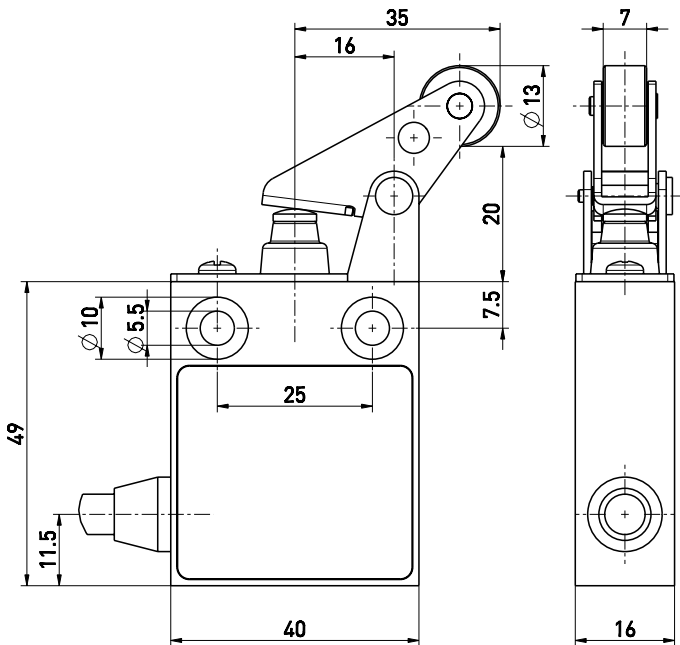
- Thermoplastic enclosure
- Double insulated
- Suitable for in-line mounting
- With pre-wired cable, cable length 5 m
- Cable entry on side

Notes

- Actuator can be repositioned by 180° on request
- With plastic roller available on request

- Actuator: Parallel roller lever with collar WPH
- Actuating speed max. 0.5 m/s with an actuating angle of 30°
- Actuation parallel to switch from below
- Metal roller
- Watertight collar for protection against penetration of dirt

Dimensions



Technical data

Applied standards	EN ISO 13849-1; EN 60947-5-1; EN ISO 14119
Switch type	type 1
Coding level	no coding
Enclosure	glass-fibre reinforced, shock-proof thermoplastic, self-extinguishing UL 94 V-0
Tightening torque	enclosure mounting screws: max. 5 Nm
Degree of protection	IP 67 to IEC/EN 60529
Contact material	silver
Switching system	slow action, positive break NC contacts \ominus
Switching elements	2 NC/1 NO contact, type Zb
Connection	cable 6 x AWG 20
Cable cross-section	6 x 0.56 mm ²
B _{10d} (10 % load)	2 million
T _M	max. 20 years
Rated impulse withstand voltage U _{imp}	4 kV
Rated operating isolation voltage U _i	250 V
Conventional thermal current I _{the}	6 A
Rated operating current/ voltage I _e /U _e	6 A/250 VAC; 0.25 A/230 VDC; 4 A/24 VDC
Utilisation category	AC-15; DC-13
Max. fuse rating	6 A gG/gN fuse



Position switch with safety function ES 13 WPH-S 2Ö/1S - 5m Material number: on request

Technical data

Ambient temperature -20 °C ... +75 °C

Mechanical life > 1 million operations

Operation cycles max. 1800/h

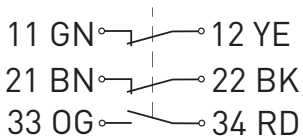
Repeat accuracy of switching points ± 0.1 mm

Contact opening max. 2 x 3.5 mm

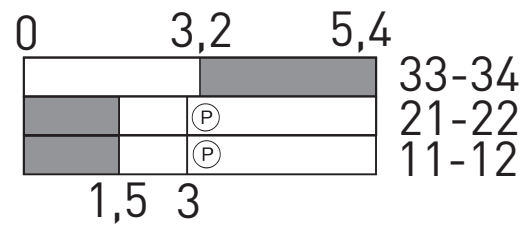
Approvals



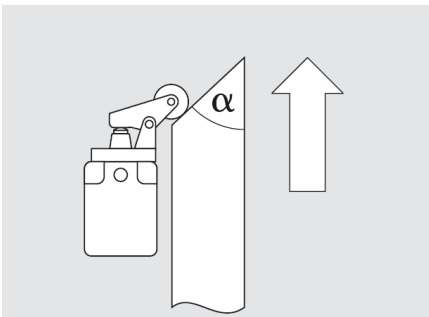
Contact diagram



Switching diagram



Actuating angle



α - Actuating angle from bottom of switch axis as shown in picture