



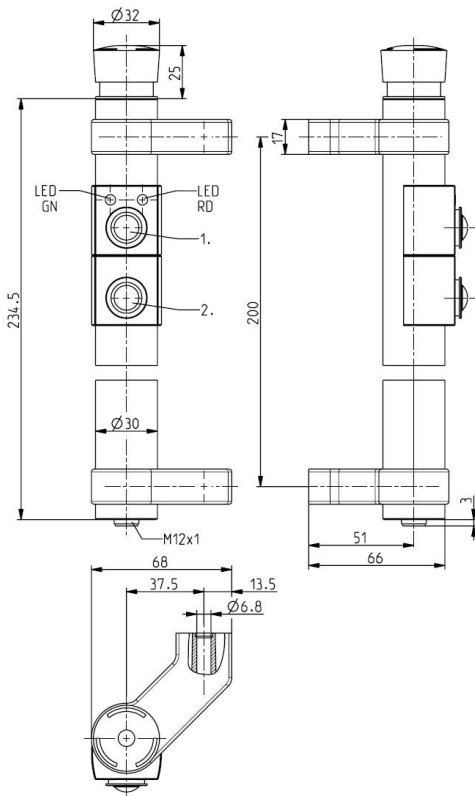
Multi-function handle TGM-200-W GR 2Ö S-R Material number: 1317501

Features/Options:

- Aluminium handle, silver matt anodised
- Long life
- Variant for left-hinged doors
- Emergency-stop push button to EN 60947-5-5: 2-channel ☹
- 1st push button: Enabling push button: single break change-over contact

- Green and red LED
- 2nd push button: Start button: 1 NO contact
- With plug-in connector M12 x 1, 12-pole
- Collars (blue, red, green) are included in delivery

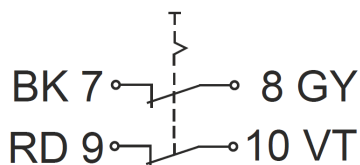
Dimensions



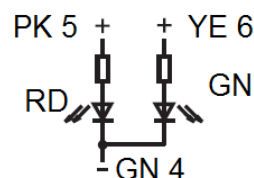
Technical data

Applied standards	EN 60947-5-1, EN 60947-5-5
Enclosure	aluminium, anodised, silver matt
Degree of protection	IP 67 to IEC/EN 60529
B_{10d} (10 % load)	100 000
T_M	max. 20 years
Connection	Plug-in-connector M12 x 1, 12-poles
Rated operating current/voltage I_e/U_e	0.5 A/24 VDC LEDs: 10 mA/24 VDC
Rated insulation voltage U_i	30 VDC
Degree of pollution	3
Mechanical life	> 50 000 operations
Ambient temperature	-25 °C ... +55 °C
Weight	500 g

Contact diagram emergency-stop push-button



Contact diagram LEDs

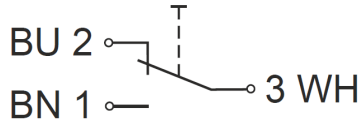


Errors and omissions excepted.

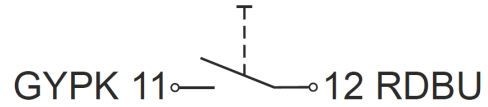


Multi-function handle TGM-200-W GR 2Ö S-R Material number: 1317501

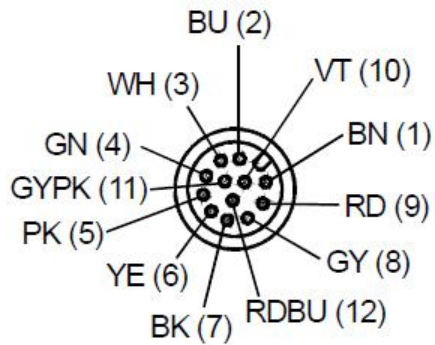
Contact diagram enabling push-button



Contact diagram start push-button



Plug-in connector



Plug-in configuration (view from plug side)
Plug-in connector M12 x 1, 12-pole