



Miniature limit switch

ES 50 R 1Ö/1S

Material no.: 1046992 (material no. old: 50009001)

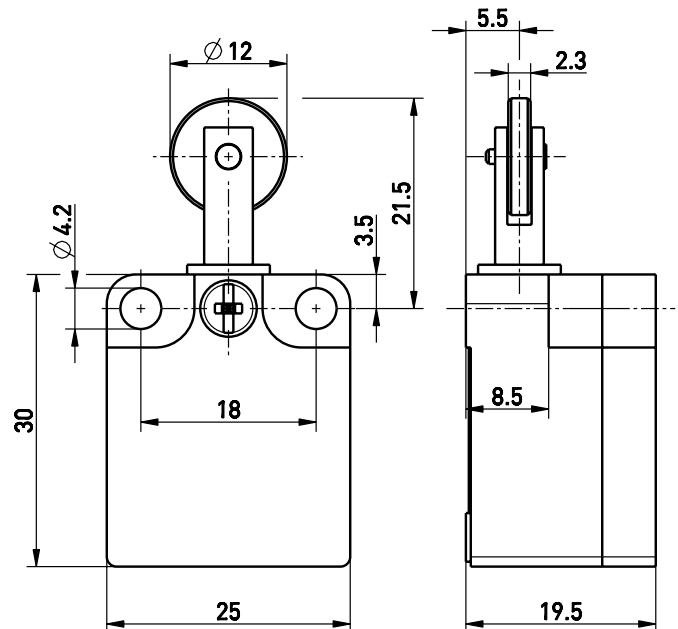
Product features

- Thermoplastic enclosure
- Actuator: Roller plunger R

Notes

- With roller plunger turned 90° available on request

Dimensions



Technical data

Applied standards

EN ISO 13849-1, EN 60947-5-1

Enclosure

thermoplastic, glass-fibre reinforced, shockproof, self-extinguishing UL 94 V-0

Actuator

plunger: brass

Tightening torque

enclosure mounting screws: approx. 1 Nm
cover screws: approx. 0.6 Nm

Degree of protection

IP30 (IEC/EN 60529)

B_{10d} (10 % load)

70 000 – with an actuating angle of 30°

T_M

max. 20 years

Degree of pollution

3

Contact material

silver

Switching system

slow action, positive break NC contacts ⊖

Switching elements

1 NC/1 NO contact, type Zb

Connection

screw connection terminals

Cable cross-section

max. 1.5 mm²

Rated impulse withstand voltage U_{imp}

4 kV

Rated insulation voltage U_i

400 V

Conventional thermal current I_{the}

4 A

Rated operating current/voltage I_e/U_e

4 A/400 VAC

Utilisation category

AC-15

Short-circuit protection

4 A gG/gN fuse

Ambient temperature

-20 °C ... +75 °C

Mechanical life

70 000 operations – with an actuating angle of 30°

Operation cycles

max. 1800/h

Repeat accuracy of switching points

± 0.1 mm

Errors and omissions excepted.



Miniature limit switch

ES 50 R 1Ö/1S

Material no.: 1046992 (material no. old: 50009001)

Technical data (contd.)

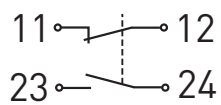
Contact opening
max. 2 x 4 mm

Weight
22 g

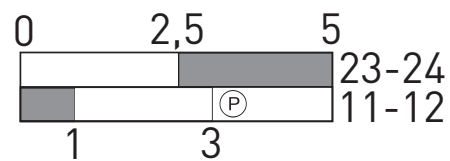
Approvals



Contact diagram



Switching diagram



Ⓟ Positive break travel/angle